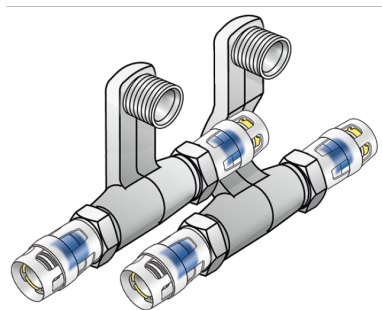


KELOX

KMP435 KELOX-PROTEC SL connection set M18x25

73155E00

aplika?ní oblasti



Skirting board radiator connecting set with PROTEC press-fit adapters; made of non-porous metallised brass, incl. push-on sleeve made of transparent polyamide with O-rings, withdrawal barriers and a protector ring as an insertion locking device with 1/2" male thread radiator connections

certifikace



KE KELIT GmbH

A 4020 Linz, Ignaz-Mayer-Straße 17, Austria, Europe

PHONE +43 (0) 50 779 E-MAIL office@kekelit.com

www.kekelit.com

specifikace

informace o výrobku

port 1	Plug-in sleeve
port 2	Plug-in sleeve
execution	Miscellaneous

produktové informace

weight	0,045 KGM
text	KELOX-PROTEC SL connection set
INTRNR	74122000
main material group	KELOX
material group	KELOX-PROtec pushfittings
code	KMP435

