

# KELEN

## KE00-LX4 KELEN PP-RCT LX-SENSO pipe - PN20 25x4.2

1525041

### Areas of application



KELEN PP-RCT SENSO drinking water pipe system conforming to ÖNORM EN ISO 15874 made of polypropylene (PP-RCT) with factory-installed 4mm soft-foam insulation, can be located electronically; outer layer consisting of woven tape fabric and viscoplastic polymer alloy

Application area: 20°C/20 bar - 70°C/10 bar

Length: 4m

## Approvals:



# Specifications

## Article information

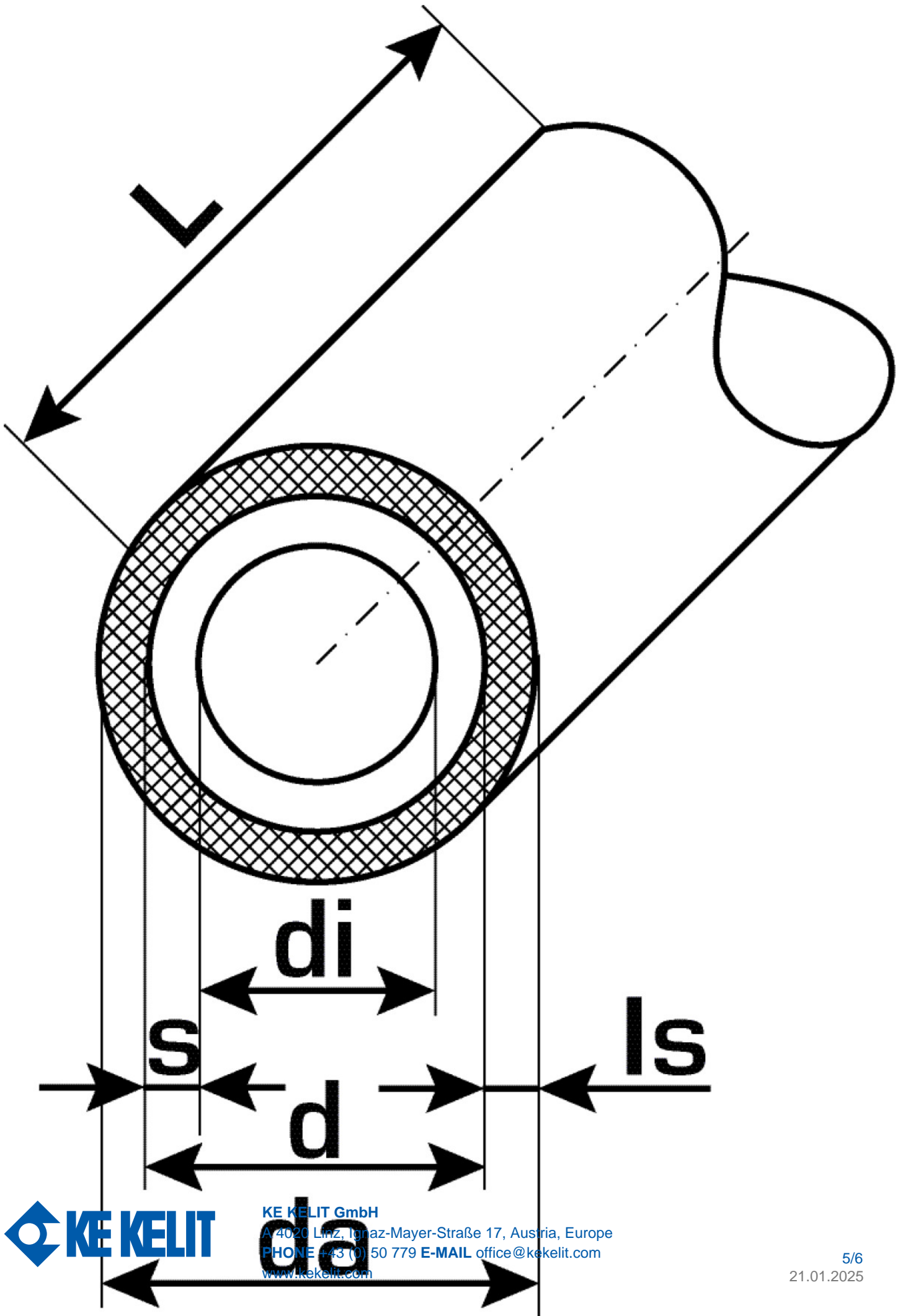
<b>port 1</b>	Rohrende
<b>port 2</b>	Rohrende
<b>color</b>	grau

## Technical properties

<b>isolation thickness</b>	4 mm
<b>pipe weight</b>	0,30 kg/m
<b>pipe contents</b>	0,22 l/m
<b>thermal conductivity</b>	0,039 W/(m.K)
<b>diameter inner tube</b>	25 mm
<b>PN</b>	PN 16
<b>wall rawness</b>	0,007 mm
<b>expansion coefficient</b>	0,15 mm/(m.K)

## Product information

<b>DIM2</b>	16,6
<b>VPE1</b>	60,00 BND
<b>VPE2</b>	3000,00 HOB
<b>L</b>	4 m
<b>weight</b>	0,303 KGM
<b>text</b>	KELEN PP-RCT LX-SENSO pipe - PN20
<b>INTRNR</b>	39172290
<b>main material group</b>	KELEN
<b>material group</b>	KELEN-LX pipes
<b>code</b>	KE00-LX4



Art. No	label	d mm	d mm	d1 mm	pipe contents l/m	s mm
1525041	25x4.2	16,6	16,6	25	0,22	4,2



**KE KELIT GmbH**

A 4020 Linz, Ignaz-Mayer-Straße 17, Austria, Europe

**PHONE** +43 (0) 50 779 **E-MAIL** [office@kekelit.com](mailto:office@kekelit.com)

[www.kekelit.com](http://www.kekelit.com)