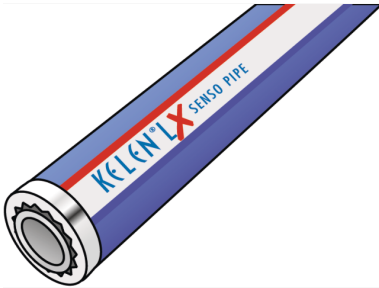


# KELEN

## KE00-LX4 KELEN PP-RCT LX-SENSO pipe - PN20 32x5.4

1532041

### Areas of application



KELEN PP-RCT SENSO drinking water pipe system conforming to ÖNORM EN ISO 15874 made of polypropylene (PP-RCT) with factory-installed 4mm soft-foam insulation, can be located electronically; outer layer consisting of woven tape fabric and viscoplastic polymer alloy

Application area: 20°C/20 bar - 70°C/10 bar

Length: 4m

## Approvals:



# Specifications

## Article information

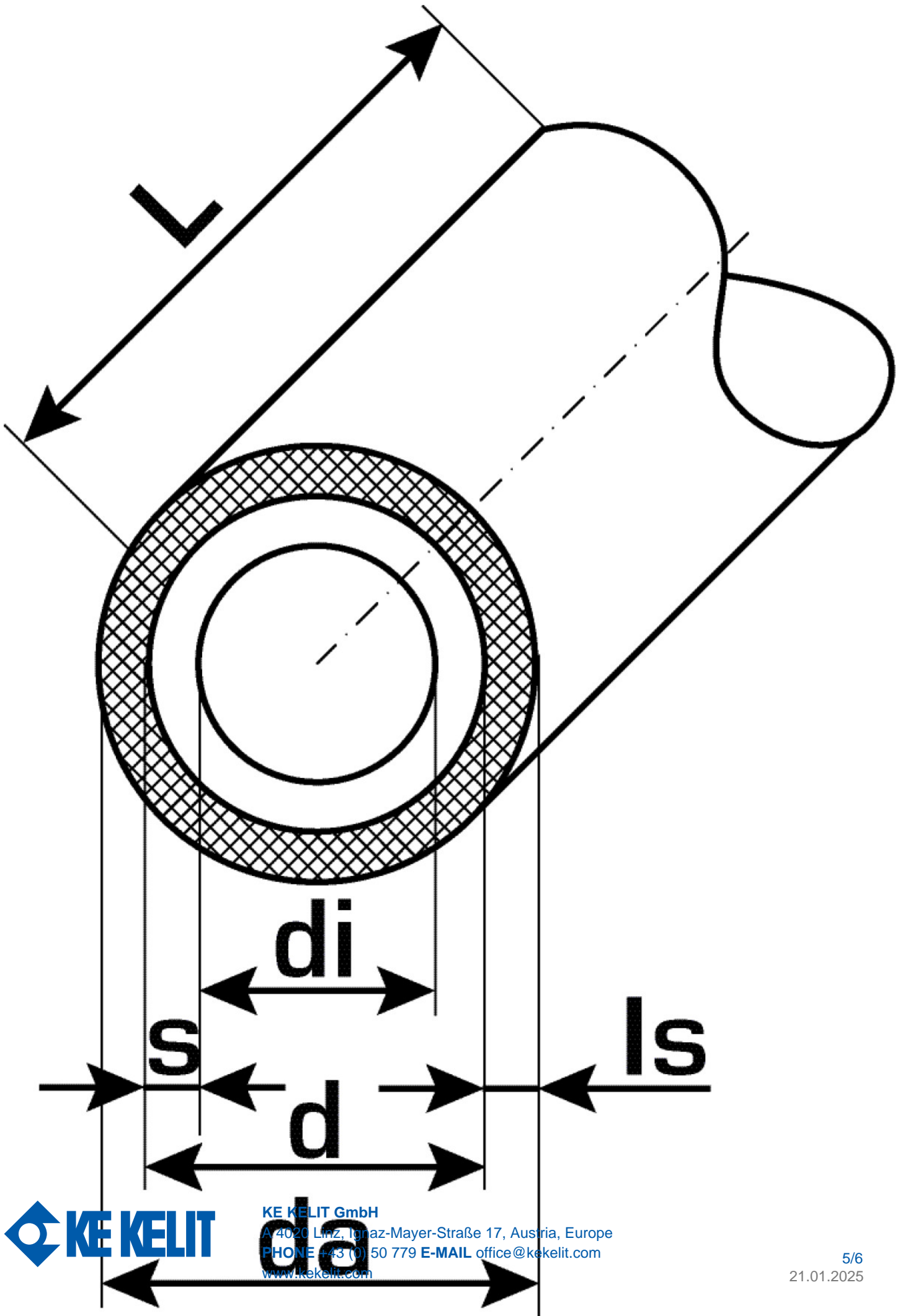
port 1	Rohrende
port 2	Rohrende
color	grau

## Technical properties

isolation thickness	4 mm
pipe weight	0,46 kg/m
pipe contents	0,35 l/m
thermal conductivity	0,039 W/(m.K)
diameter inner tube	32 mm
PN	PN 16
wall rawness	0,007 mm
expansion coefficient	0,15 mm/(m.K)

## Product information

<b>DIM2</b>	21,2
<b>VPE1</b>	40,00 BND
<b>VPE2</b>	2000,00 HOB
<b>L</b>	4 m
<b>weight</b>	0,494 KGM
<b>text</b>	KELEN PP-RCT LX-SENSO pipe - PN20
<b>INTRNR</b>	39172290
<b>main material group</b>	KELEN
<b>material group</b>	KELEN-LX pipes
<b>code</b>	KE00-LX4



Art. No	label	d mm	d mm	d1 mm	pipe contents l/m	s mm
1532041	32x5.4	21,2	21,2	32	0,35	5,4



**KE KELIT GmbH**

A 4020 Linz, Ignaz-Mayer-Straße 17, Austria, Europe

**PHONE** +43 (0) 50 779 **E-MAIL** office@kekelit.com

www.kekelit.com