

# KELEN

## KE13 KELEN PP-RCT adapter female 63x2"S

2589801

### Areas of application



KELEN PP-RCT Polyfusion welding fitting for connecting pipes with fittings made of the same material (no reduction of internal diameter), with injected male thread made of dezincification-resistant brass, non-porous metal plating, threads conform to ÖNORM EN 10226

System parts marked with an "S" are produced with a wrench attachment connection

Do NOT connect to threaded pipes or to cast iron fittings!

### Approvals:



KE KELIT GmbH

A 4020 Linz, Ignaz-Mayer-Straße 17, Austria, Europe

PHONE +43 (0) 50 779 E-MAIL [office@kekelit.com](mailto:office@kekelit.com)

[www.kekelit.com](http://www.kekelit.com)

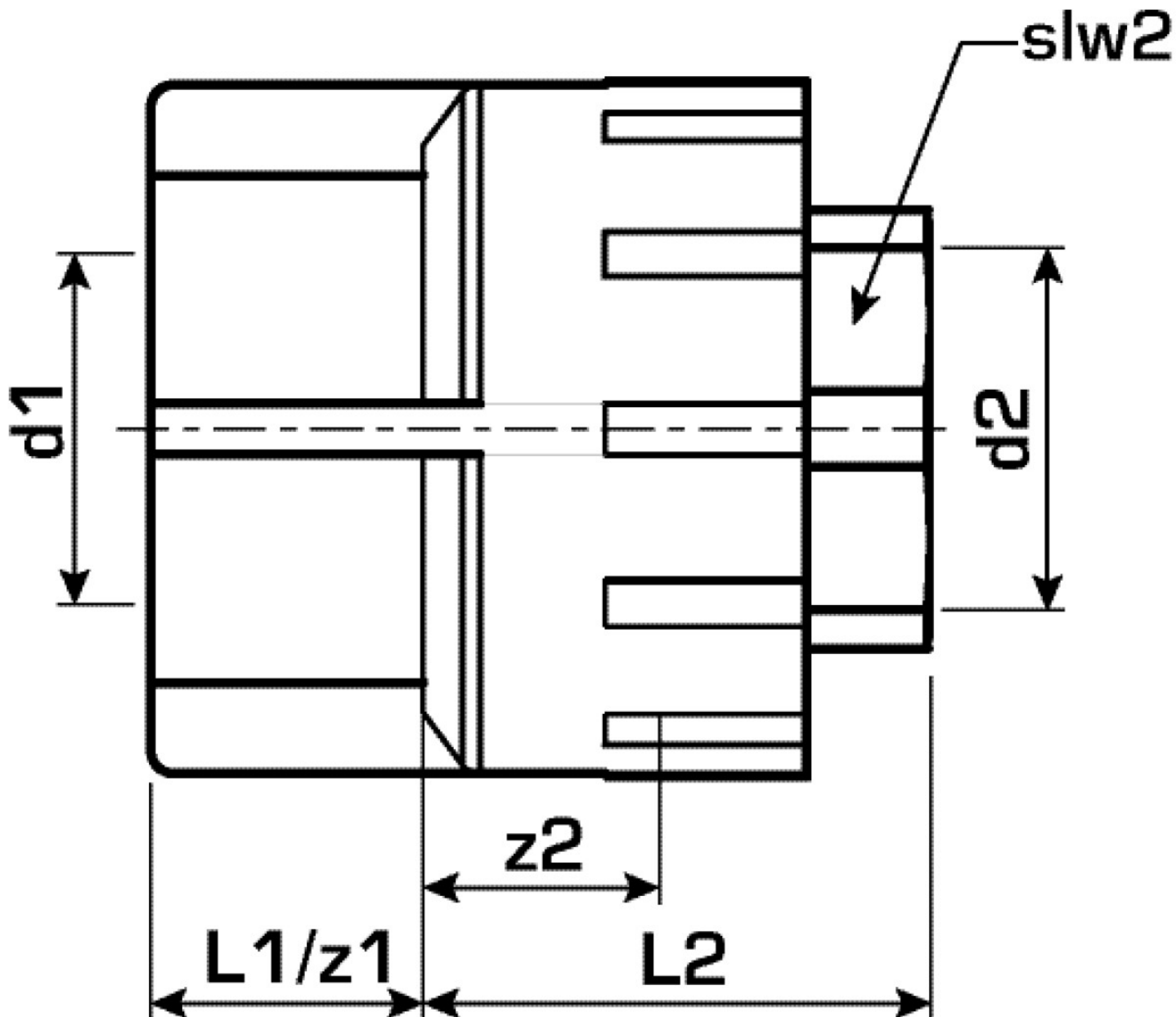
# Specifications

## Article information

<b>port 1</b>	Kunststoffschweißmuffe
<b>port 2</b>	Innengewinde zylindrisch BSPT-Rp (ISO 7-1 / EN 10226-1)
<b>design</b>	gerade

## Product information

<b>VPE1</b>	1,00 SA1
<b>VPE2</b>	8,00 KT1
<b>VPE3</b>	32,00 KT2
<b>VPE4</b>	768,00 PAL
<b>weight</b>	0,750 KGM
<b>text</b>	KELEN PP-RCT adapter female
<b>INTRNR</b>	39174000
<b>main material group</b>	KELEN
<b>material group</b>	KELEN metal fittings
<b>code</b>	KE13



Art. No	label	d2	d1 mm	L1 mm	L2 mm	z1 mm	z2 mm	slw2
2589801	63x2"S	2"	63	30	46	30	30	70