

# KELEN

## KE23 KELEN PP-RCT elbow adapter 90° female 20x3/4"

2603601

### Areas of application



KELEN PP-RCT Polyfusion welding fitting for connecting pipes with fittings made of the same material (no reduction of internal diameter), with injected male thread made of dezincification-resistant brass, non-porous metal plating, threads conform to ÖNORM EN 10226

System parts marked with an "S" are produced with a wrench attachment connection

Do NOT connect to threaded pipes or to cast iron fittings!

## Approvals:



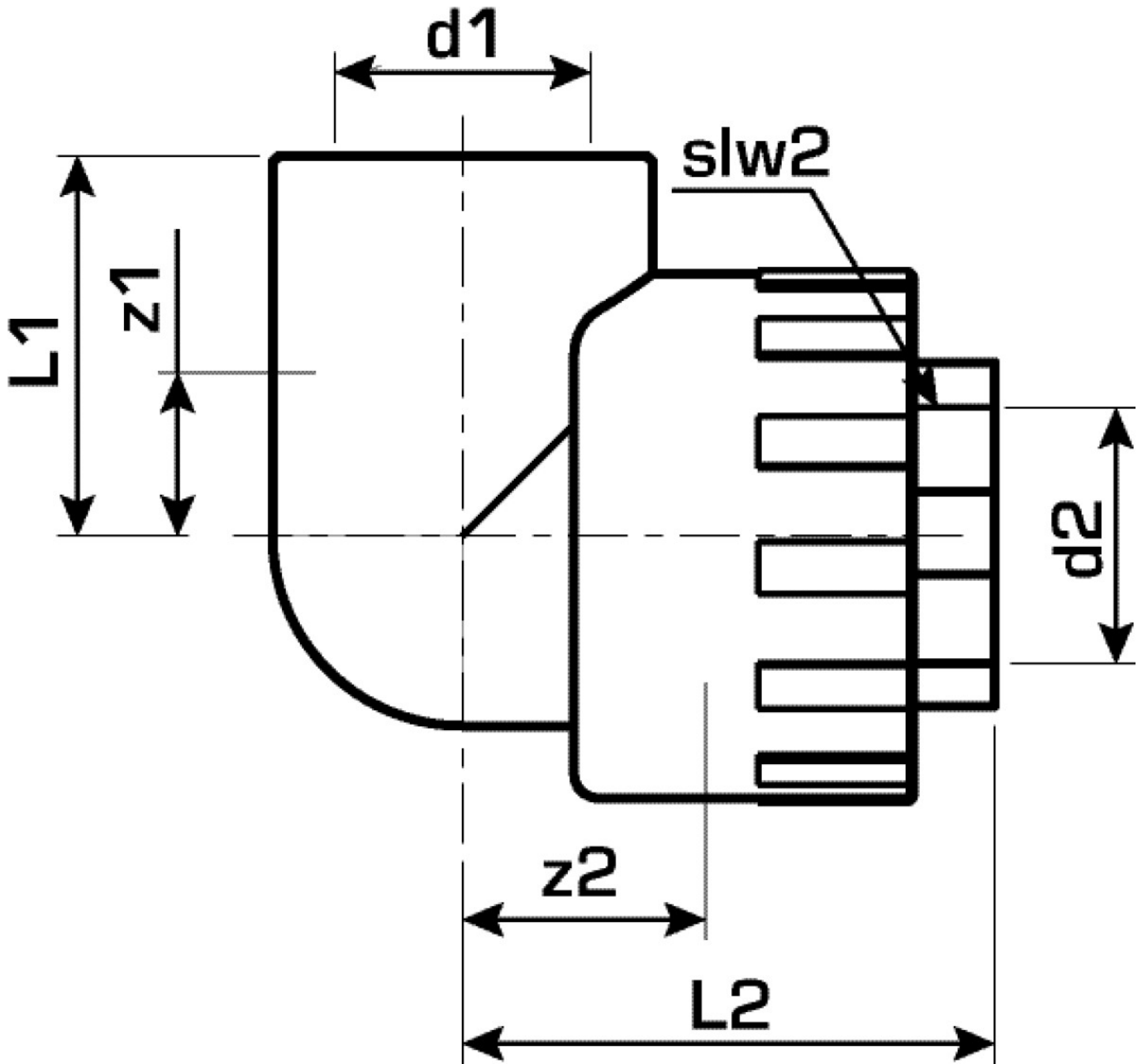
# Specifications

## Article information

<b>port 1</b>	Kunststoffschweißmuffe
<b>port 2</b>	Innengewinde zylindrisch BSPT-Rp (ISO 7-1 / EN 10226-1)
<b>execution</b>	2-part
<b>design</b>	Bogen
<b>angle</b>	90 °

## Product information

<b>VPE1</b>	10,00 SA1
<b>VPE2</b>	60,00 KT1
<b>VPE3</b>	240,00 KT2
<b>VPE4</b>	5760,00 PAL
<b>weight</b>	0,109 KGM
<b>text</b>	KELEN PP-RCT elbow adapter 90° female
<b>INTRNR</b>	39174000
<b>main material group</b>	KELEN
<b>material group</b>	KELEN metal fittings
<b>code</b>	KE23



Art. No	label	d1 mm	L1 mm	L2 mm	z1 mm	z2 mm
2603601	20x3/4"	20	28	35	13	21