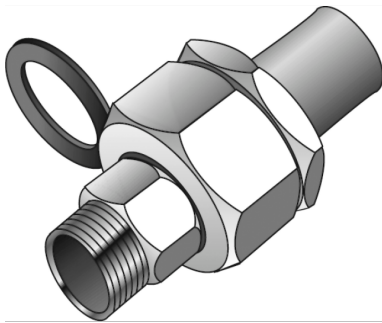


# KELEN

## KE55 KELEN PP-RCT union plastic/metal male 40x5/4"

2743501

### Areas of application



KELEN PP-RCT Polyfusion welding fitting, male, made from dezincification-resistant brass and non-porous metal-plating, flat sealing, incl. EPDM seal, thread conforms to ÖNORM EN 10226 plastic socket or EPDM seal separately available!

### Approvals:



KE KELIT GmbH

A 4020 Linz, Ignaz-Mayer-Straße 17, Austria, Europe

PHONE +43 (0) 50 779 E-MAIL [office@kekelit.com](mailto:office@kekelit.com)

[www.kekelit.com](http://www.kekelit.com)

# Specifications

## Article information

<b>port 1</b>	Kunststoffschweißmuffe
<b>port 2</b>	Außengewinde konisch (NPT)
<b>design</b>	gerade

## Product information

<b>VPE1</b>	2,00 SA1
<b>VPE2</b>	10,00 KT1
<b>VPE3</b>	40,00 KT2
<b>VPE4</b>	960,00 PAL
<b>weight</b>	0,866 KGM
<b>text</b>	KELEN PP-RCT union plastic/metal male
<b>INTRNR</b>	39174000
<b>main material group</b>	KELEN
<b>material group</b>	KELEN metal fittings
<b>code</b>	KE55



Art. No	label	d2	d1 mm	L1 mm	L2 mm	z1 mm	z2 mm	slw1 mm	slw2
2743501	40x5/4"	1 1/4"	40	87	52	36	32	66	66