

# KELEN

## KE83HA KELEN PP-RCT hollow wall elbow fitting 90° female 20x1/2"x50

2626001

### Areas of application



KELEN PP-RCT Polyfusion welding fitting for connecting pipes with fittings made of the same material (no reduction of internal diameter), with injected female thread made of dezincification-resistant brass, non-porous metal plating, thread conforms to ÖNORM EN 10226, on the metal side extended by 50mm with male thread M28mm, octagonal version, seal and 2 lock nuts  
Do NOT connect to threaded pipes or to cast iron fittings!

## Approvals:



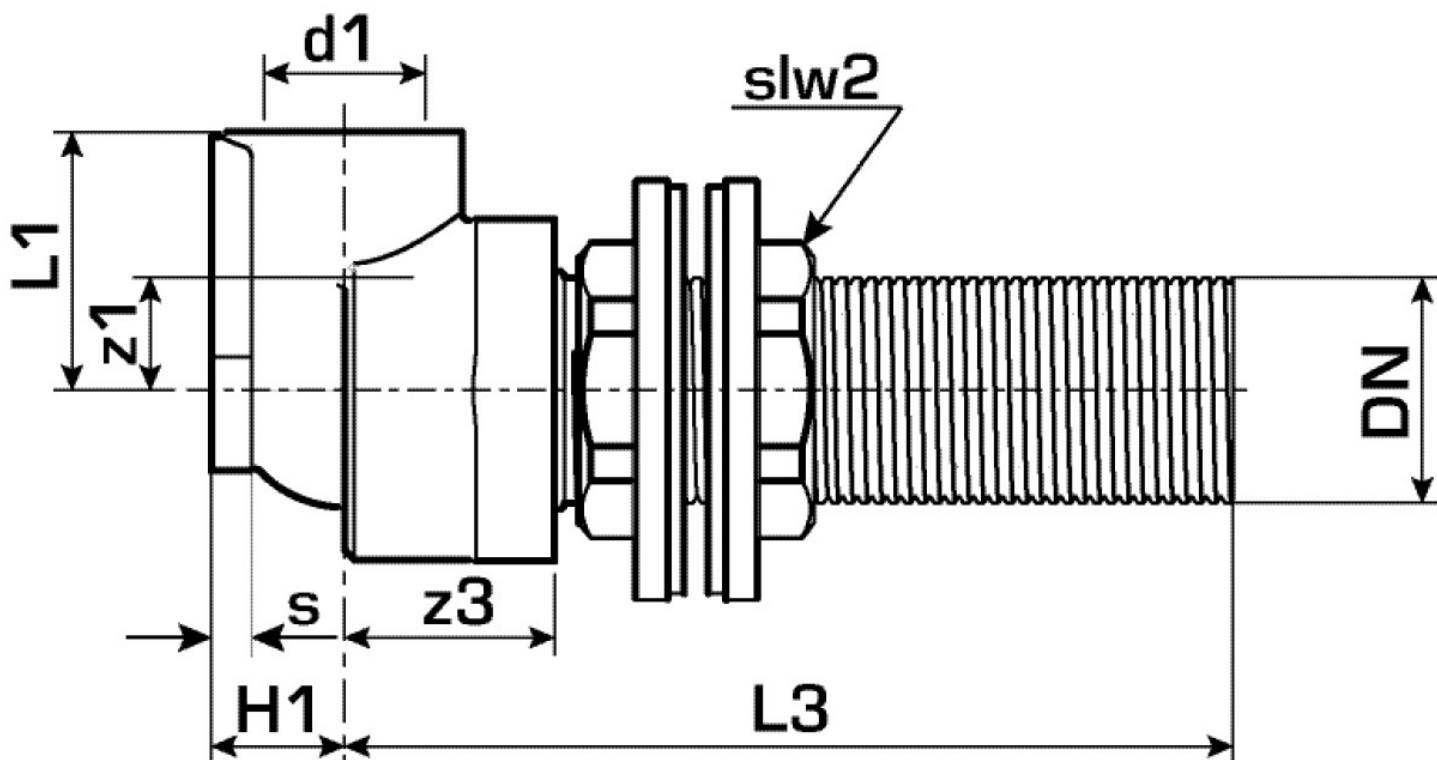
# Specifications

## Article information

<b>port 1</b>	Kunststoffschweißmuffe
<b>design</b>	Durchgängig rechtwinklig

## Product information

<b>VPE1</b>	5,00 SA1
<b>VPE2</b>	30,00 KT1
<b>VPE3</b>	120,00 KT2
<b>VPE4</b>	2880,00 PAL
<b>weight</b>	0,296 KGM
<b>text</b>	KELEN PP-RCT hollow wall elbow fitting 90° female
<b>INTRNR</b>	39174000
<b>main material group</b>	KELEN
<b>material group</b>	KELEN metal fittings
<b>code</b>	KE83HA



Art. No	label	d1 mm	L1 mm	L3 mm	z1 mm	z3 mm	slw2 mm
2626001	20x1/2"x50	20	28	84	12	34	31