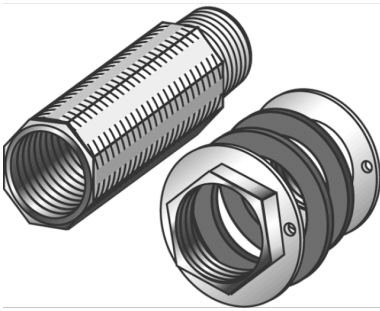


KELEN

K84 KELIT hollow wall connection unit 1/2"xM28

2678000

Areas of application



50mm extension piece made of brass, M28mm male thread, octagonal design, seal and 2 lock nuts
Do NOT screw in metal threaded pipes or cast iron fittings!

Approvals:



Specifications

Technical properties

insertion depth 1 (es1)	50 mm
--------------------------------	-------

Product information

VPE1	5,00 SA1
-------------	----------

VPE2	30,00 KT1
-------------	-----------

VPE3	120,00 KT2
-------------	------------

VPE4	2880,00 PAL
-------------	-------------

weight	0,204 KGM
---------------	-----------

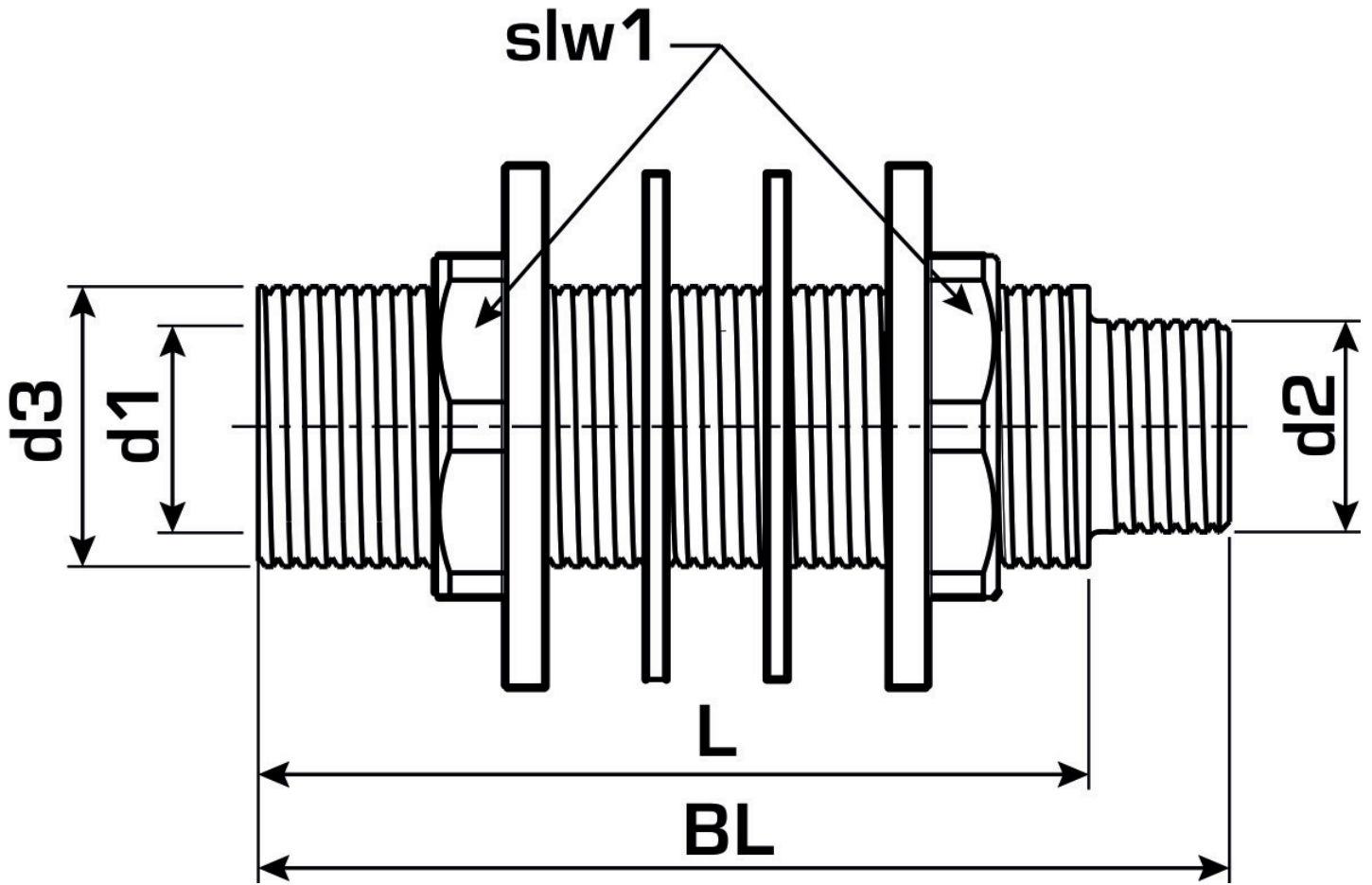
text	KELIT hollow wall connection unit
-------------	-----------------------------------

INTRNR	39174000
---------------	----------

main material group	KELEN
----------------------------	-------

material group	KELEN accessories
-----------------------	-------------------

code	K84
-------------	-----



Art. No	label	L1 mm	insertion depth 1 (es1) mm	slw1 mm
2678000	1/2"xM28	64	50	30