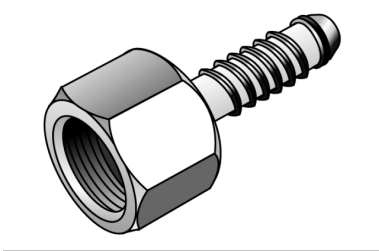


KELOX

KM258 KELOX stopper for pressure testing 16x1/2"

7604160

Areas of application



Re-usable plug for forcing off KELOX multilayer pipes

After removing the forcing-off plug, cut off the pipe end!

NOT suitable for continuous use!

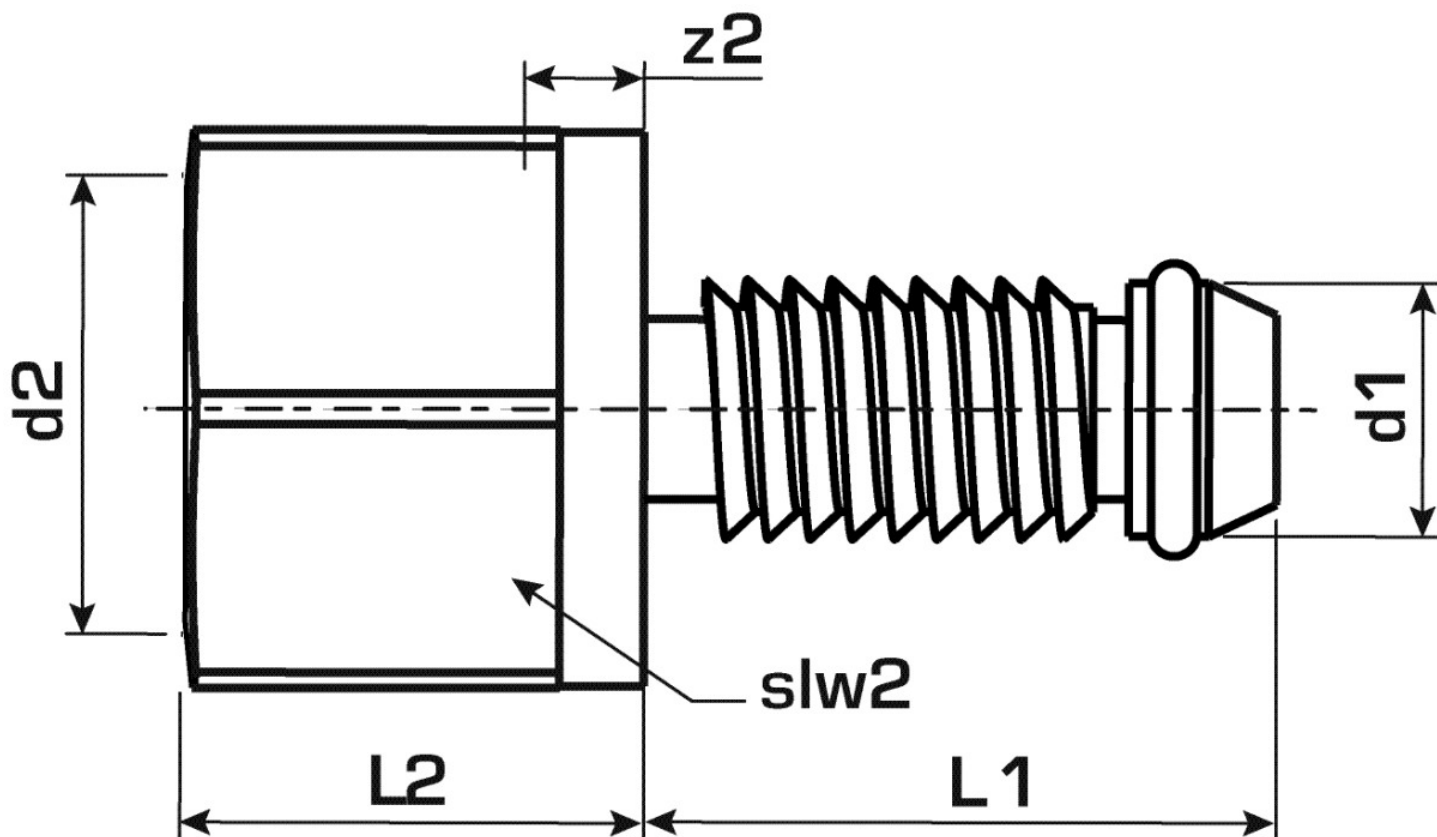
Specifications

Technical properties

| | |
|------------------------------------|----|
| maximum working pressure at 20 ° C | 10 |
|------------------------------------|----|

Product information

| | |
|---------------------|------------------------------------|
| VPE1 | 10,00 SA1 |
| VPE2 | 200,00 KT1 |
| weight | 0,105 KGM |
| text | KELOX stopper for pressure testing |
| INTRNR | 74122000 |
| main material group | KELOX |
| material group | KELOX accessories |
| code | KM258 |



| Art. No | label | d1 mm | L1 mm | L2 mm | z2 mm | slw2 |
|---------|---------|-------|-------|-------|-------|------|
| 7604160 | 16x1/2" | 16 | 30 | 22 | 5 | 27 |