

Specifications

Article information

color weiß

flexible 1

isolation 1

Technical properties

maximum working pressure at 20 ° C 10 bar

pipe weight 0,11 kg/m

pipe contents 0,113 l/m

wall rawness 0,007 mm

expansion coefficient 0,025 mm/(m.K)

Product information

VPE1 1,00 SA1

VPE2 10,00 KT1

weight 0,580 KGM

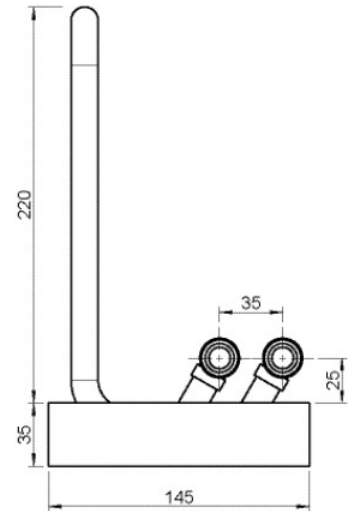
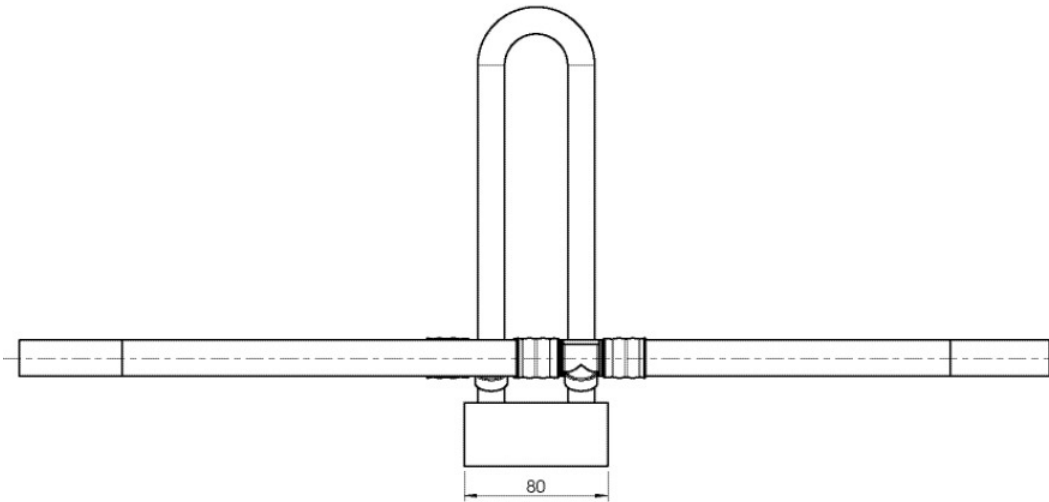
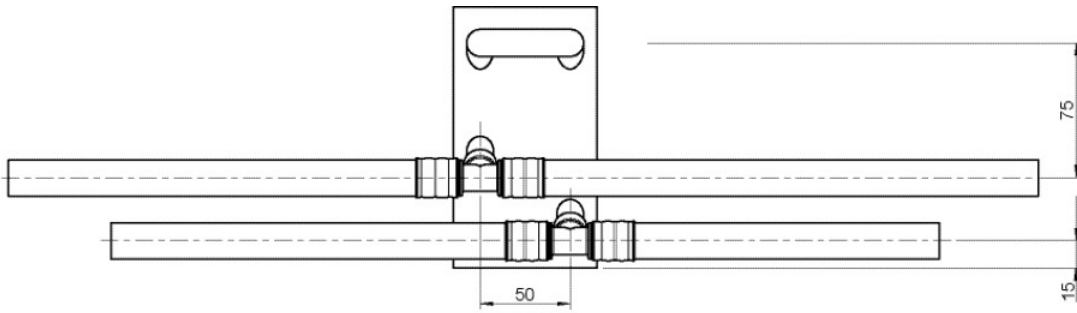
text KELOX SB flush-mounted radiator elbow box

INTRNR 74122000

main material group KELOX

material group KELOX accessories

code KM506



Art. No	label	d1 mm	pipe contents l/m	s mm
9009300	20x20	16	0,113	2