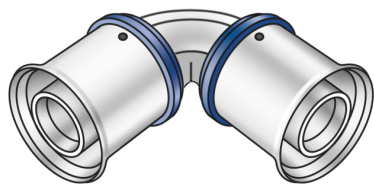


KELOX

KMU420Z ?KELOX-ULTRAX zeta elbow 90° 25

71104EE0

Areas of application



?Zeta-optimised press-fit 90° elbow for changing direction with minimal radius, made of non-porous metallised brass, incl. support sleeves with O-rings and stainless steel pressing sleeves, "leak before pressed"

Approvals:



KE KELIT GmbH

A 4020 Linz, Ignaz-Mayer-Straße 17, Austria, Europe

PHONE +43 (0) 50 779 E-MAIL office@kekelit.com

www.kekelit.com

Specifications

Article information

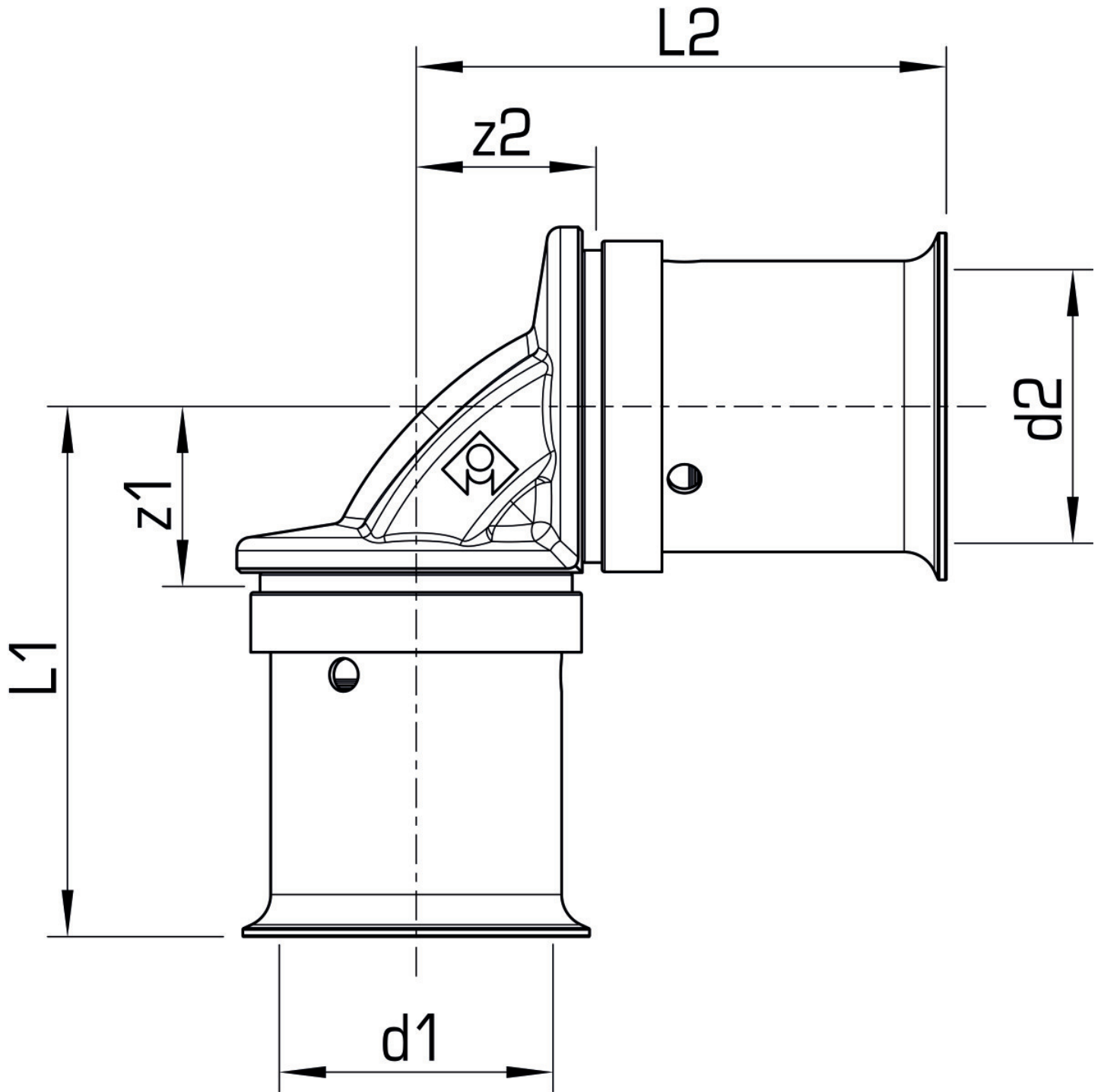
| | |
|---------------|-----------------|
| port 1 | Pressing socket |
| port 2 | Pressing socket |
| execution | 1-part |
| design | Knee |
| angle | 90 ° |
| press contour | U |

Technical properties

| | |
|------------------------------------|--------|
| maximum working pressure at 20 ° C | 10 bar |
|------------------------------------|--------|

Product information

| | |
|---------------------|------------------------------|
| VPE1 | 10,00 SA1 |
| VPE2 | 70,00 KT1 |
| weight | 0,180 KGM |
| text | ?KELOX-ULTRAX zeta elbow 90° |
| INTRNR | 74122000 |
| main material group | KELOX |
| material group | KELOX-ULTRAX metal fittings |
| code | KMU420Z |



| Art. No | label | d1 mm | d2 mm | L1 mm | L2 mm | z1 mm | z2 mm |
|----------|-------|-------|-------|-------|-------|-------|-------|
| 71104EE0 | 25 | 25 | 25 | 51 | 51 | 18 | 18 |