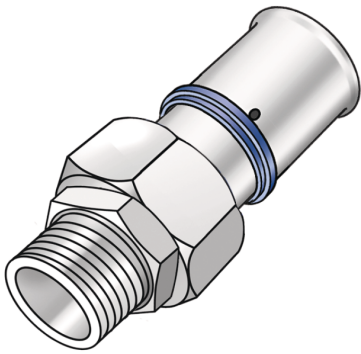


KELOX

KMU451 KELOX-ULTRAX union with male thread 32x1"

71241F05

Areas of application



ULTRAX press-fit union with male thread made from stainless steel, thread as per ÖNORM EN 10226, for connecting to fittings made of non-porous metallised brass; incl. support sleeves with O-rings and stainless steel press-fit sleeves "leak before pressed", flat-sealing including seal

Approvals:



KE KELIT GmbH

A 4020 Linz, Ignaz-Mayer-Straße 17, Austria, Europe

PHONE +43 (0) 50 779 E-MAIL office@kekelit.com

www.kekelit.com

Specifications

Article information

| | |
|---------------|----------------------------|
| port 1 | Pressmuffe |
| port 2 | Außengewinde konisch (NPT) |
| execution | 2-part |
| design | Straight |
| press contour | U |

Technical properties

| | |
|------------------------------------|--------|
| maximum working pressure at 20 ° C | 10 bar |
|------------------------------------|--------|

Product information

| | |
|---------------------|-------------------------------------|
| VPE1 | 5,00 SA1 |
| VPE2 | 50,00 KT1 |
| weight | 0,264 KGM |
| text | KELOX-ULTRAX union with male thread |
| INTRNR | 74122000 |
| main material group | KELOX |
| material group | KELOX-ULTRAX metal fittings |
| code | KMU451 |



| Art. No | label | d2 Inches | d1 mm | L1 mm | L2 mm | z1 mm | z2 mm | slw1 mm | slw2 mm |
|----------|-------|--------------|-------|-------|-------|-------|-------|------------|------------|
| 71241F05 | 32x1" | 1" | 32 | 52 | 20 | 22 | 40 | 50 | 39 |