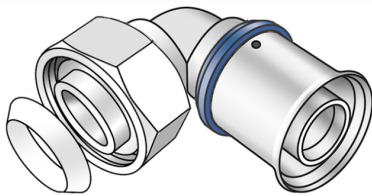


KELOX

KMU456K KELOX-ULTRAX union 90° with female thread and wedge seal 16x1/2"

71207B02

Areas of application



Press-fit elbow union 90° with female thread for connecting to fittings or threaded nipples made of non-porous metallised brass (CW724R), incl. support sleeves with O rings and stainless steel press-fit sleeves, "leak before pressed", incl. wedge seal

Approvals:



Specifications

Article information

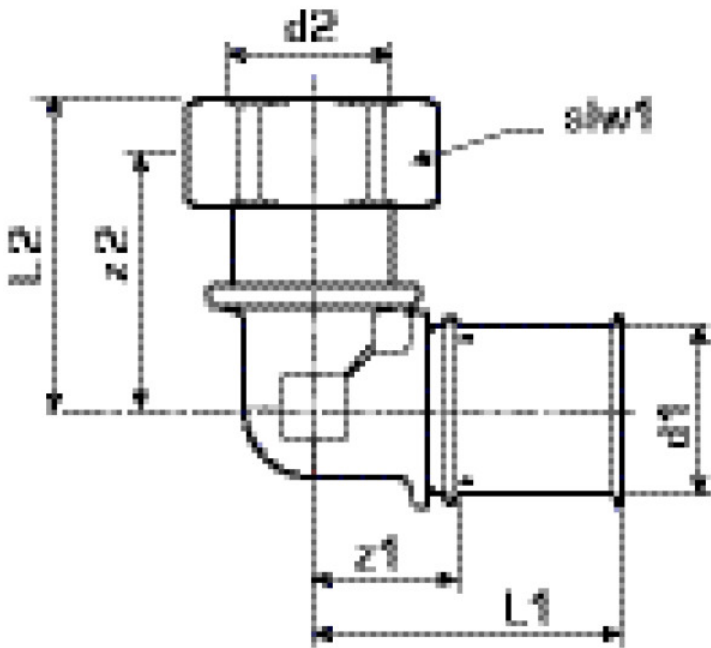
| | |
|---------------|----------------|
| port 2 | Überwurfmutter |
| execution | 1-part |
| design | Winkel |
| angle | 90 ° |
| press contour | U |

Technical properties

| | |
|------------------------------------|--------|
| maximum working pressure at 20 ° C | 10 bar |
|------------------------------------|--------|

Product information

| | |
|---------------------|--|
| VPE1 | 10,00 SA1 |
| VPE2 | 120,00 KT1 |
| weight | 0,102 KGM |
| text | KELOX-ULTRAX union 90° with female thread and wedge seal |
| INTRNR | 74122000 |
| main material group | KELOX |
| material group | KELOX-ULTRAX metal fittings |
| code | KMU456K |



| Art. No | label | d2 | d1 mm | L1 mm | L2 mm | z1 mm | z2 mm | slw1 mm |
|----------|---------|-----------|-------|-------|-------|-------|-------|---------|
| 71207B02 | 16x1/2" | 1/2" (15) | 16 | 38 | 39 | 16 | 2 | 24 |