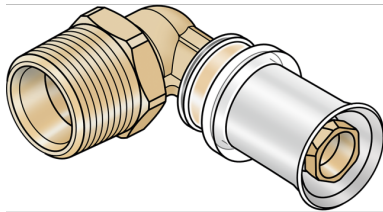


KELOX

KMW460 KELOX-ULTRAX-W adapter elbow 90° with male thread 25x1"

71412E05

Areas of application



?Zeta value-optimised press-fit adapter bracket with male thread for sealing, made from dezincification-resistant (DZR) brass, including support sleeves with O-rings and stainless steel press-fit sleeves "leak before pressed", audible leakage signal at air-pressure testing

Approvals:



KE KELIT GmbH

A 4020 Linz, Ignaz-Mayer-Straße 17, Austria, Europe

PHONE +43 (0) 50 779 E-MAIL office@kekelit.com

www.kekelit.com

Specifications

Article information

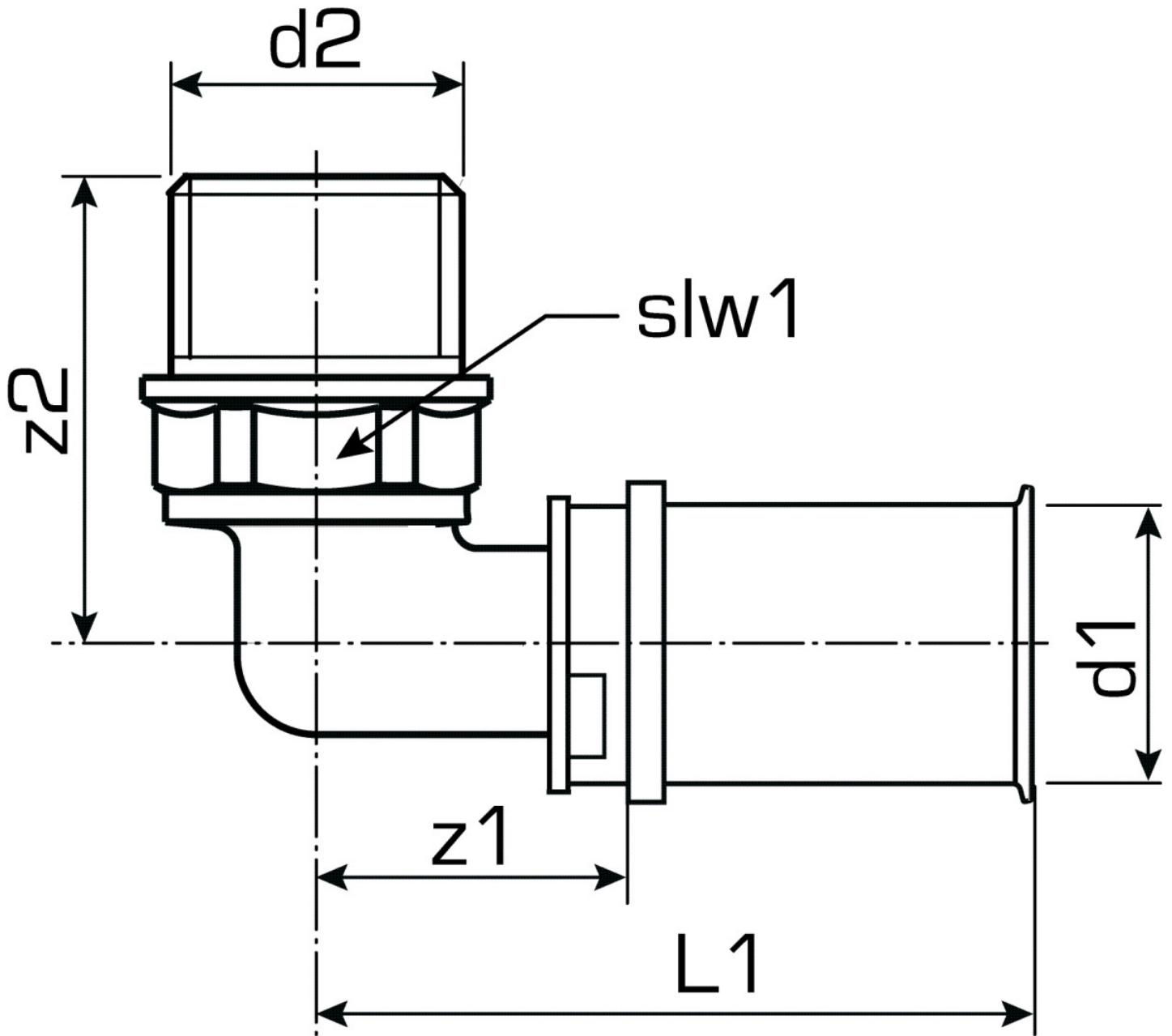
port 1	Pressmuffe
port 2	Außengewinde konisch BSPT-R (ISO 7-1 / EN 10226-1)
design	Winkel
angle	90 °
press contour	U

Technical properties

maximum working pressure at 20 ° C	16 bar
------------------------------------	--------

Product information

VPE1	5,00 SA1
VPE2	30,00 KT1
VPE3	1800,00 PAL
weight	0,246 KGM
text	KELOX-ULTRAX-W adapter elbow 90° with male thread
INTRNR	74122000
main material group	KELOX
code	KMW460



Art. No	label	d2	d1 mm	L1 mm	L2 mm	z1 mm	z2 mm	slw1 mm
71412E05	25x1"	1"	25	58,5	38	28	40	34