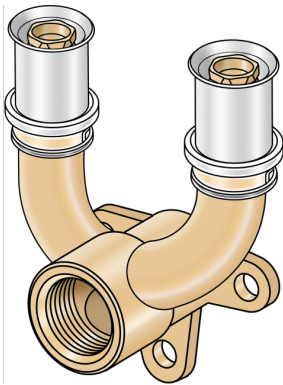


KELOX

KMW477 KELOX-ULTRAX-W double U wall bracket fitting with female thread 25x1/2"

71454E2E

Areas of application



?Zeta value-optimised double U press-fit wall bracket fitting with female thread, made from dezincification-resistant (DZR) brass, including support sleeves with O-rings and stainless steel press-fit sleeves "leak before pressed", audible leakage signal at air-pressure testing

DO NOT screw in threaded pipes and cast iron fittings!

Approvals:



Specifications

Article information

port 1 Pressmuffe

press contour U

Technical properties

maximum working pressure at 20 ° C 16 bar

Product information

VPE1 5,00 SA1

VPE2 20,00 KT1

VPE3 1800,00 PAL

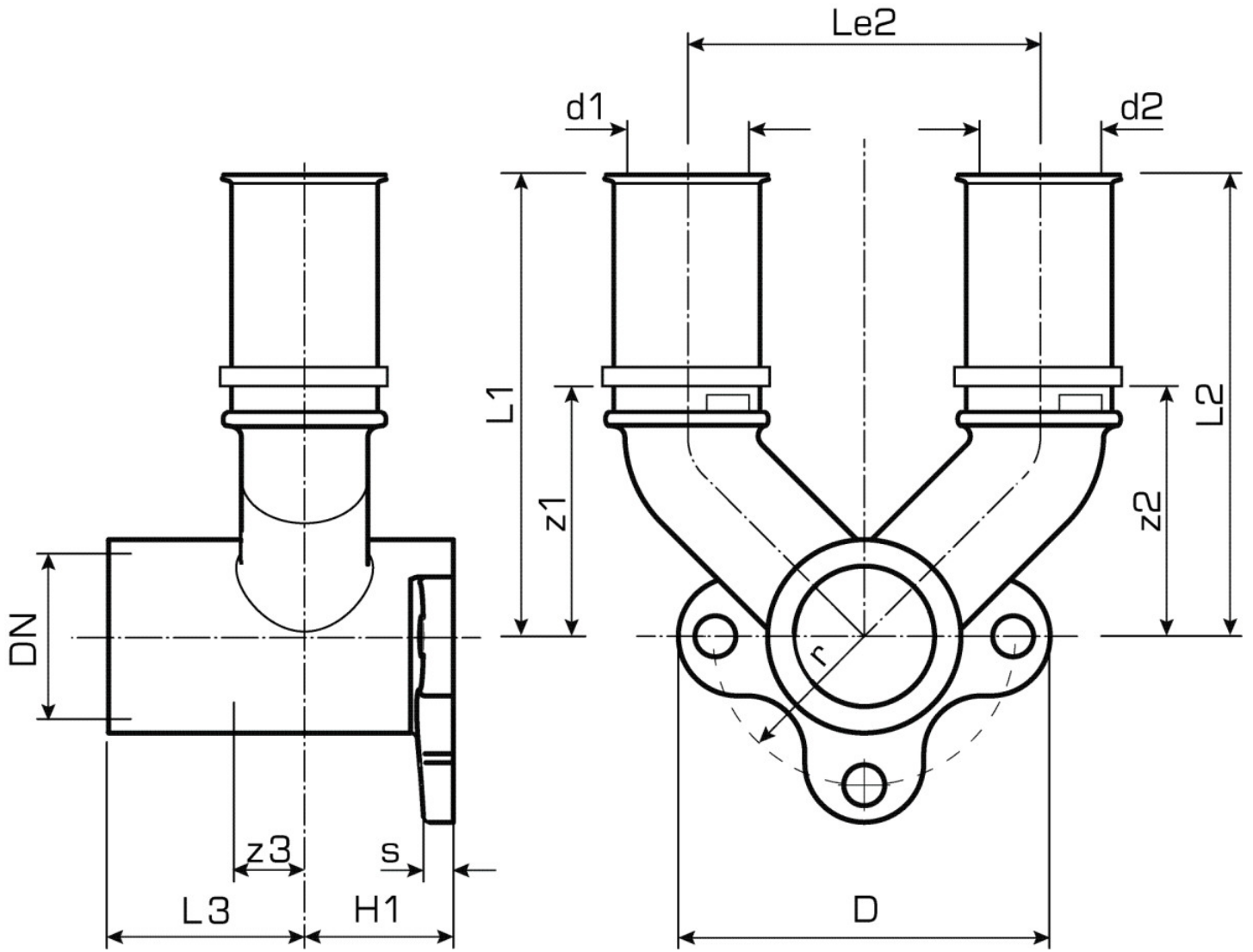
weight 0,260 KGM

text KELOX-ULTRAX-W double U wall bracket fitting with female thread

INTRNR 74122000

main material group KELOX

code KMW477



Art. No	label	d1 mm	L1 mm	L2 mm	L3 mm	z1 mm	z2 mm	z3 mm
71454E2E	25x1/2"	25	72,5	72,5	21,5	42,5	42,5	105