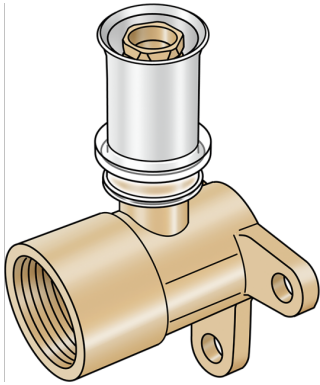


# KELOX

## KMW480 KELOX-ULTRAX-W wall bracket fitting 90° with female thread 20x1/2"

71452D02

### Areas of application



?Zeta value-optimised press-fit wall bracket fitting with female thread, made from dezincification-resistant (DZR) brass, including support sleeves with O-rings and stainless steel press-fit sleeves "leak before pressed", audible leakage signal at air-pressure testing

Overall height: 1/2" - 52mm

Overall height: d20x3/4" - 48mm

Overall height: d25x3/4" - 49mm

DO NOT screw in threaded pipes and cast iron fittings!

## Approvals:



# Specifications

## Article information

**port 1** Pressmuffe

**press contour** U

## Technical properties

**maximum working pressure at 20 ° C** 16 bar

## Product information

**VPE1** 10,00 SA1

**VPE2** 30,00 KT1

**VPE3** 2400,00 PAL

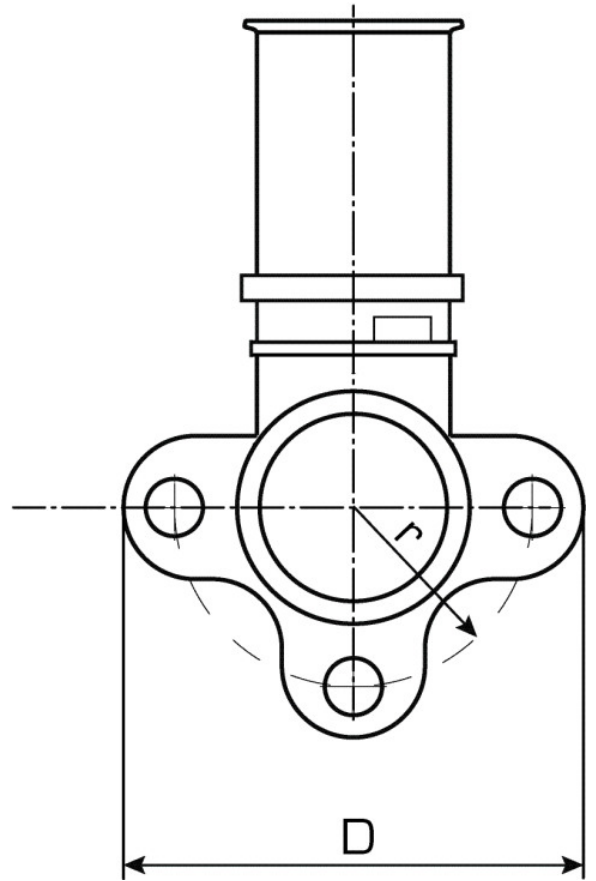
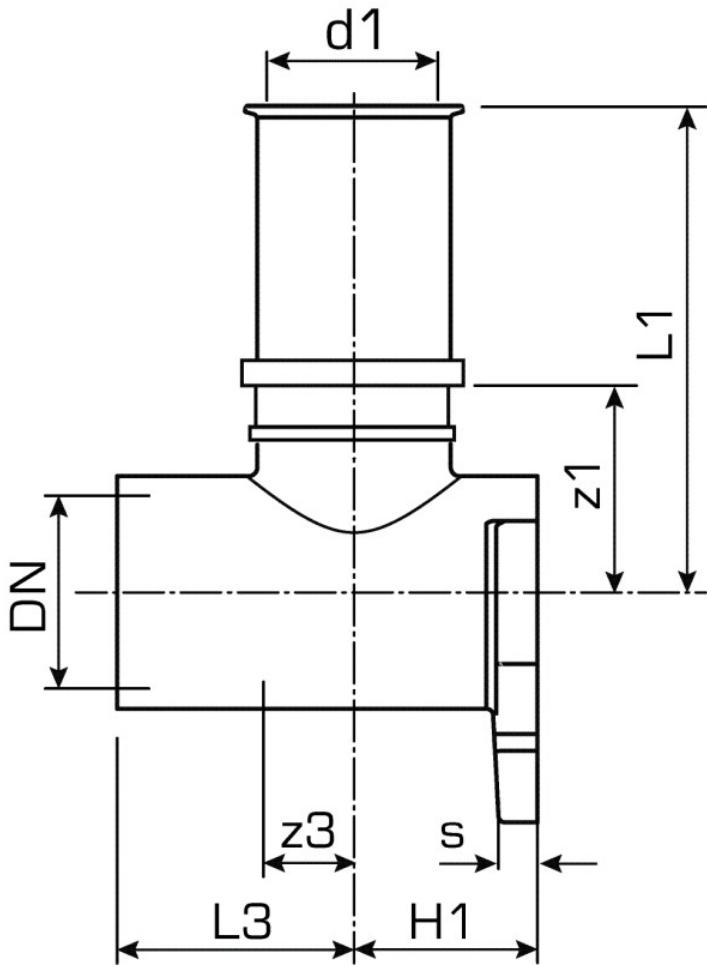
**weight** 0,156 KGM

**text** KELOX-ULTRAX-W wall bracket fitting 90° with female thread

**INTRNR** 74122000

**main material group** KELOX

**code** KMW480



Art. No	label	d1 mm	L1 mm	L3 mm	z1 mm	z3 mm
71452D02	20x1/2"	20	48,5	31	23,5	13,5