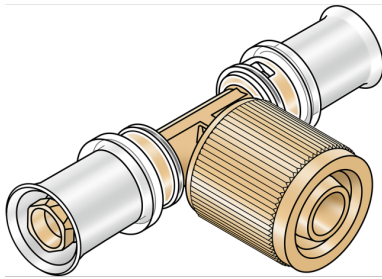


KELOX

KMW482T KELOX-ULTRAX-W cistern connection tee 16x1/2"

71459B2B

Areas of application



Zeta value-optimised cistern connection with female-threaded union, made from dezincification-resistant brass (DZR), including support sleeves with O-rings and stainless steel press-fit sleeves, "leak before pressed", audible leakage signal at air-pressure testing

Suitable for cisterns from the manufacturers Burda (K750/K760), Geberit, Grohe and TECE

Approvals:



Specifications

Article information

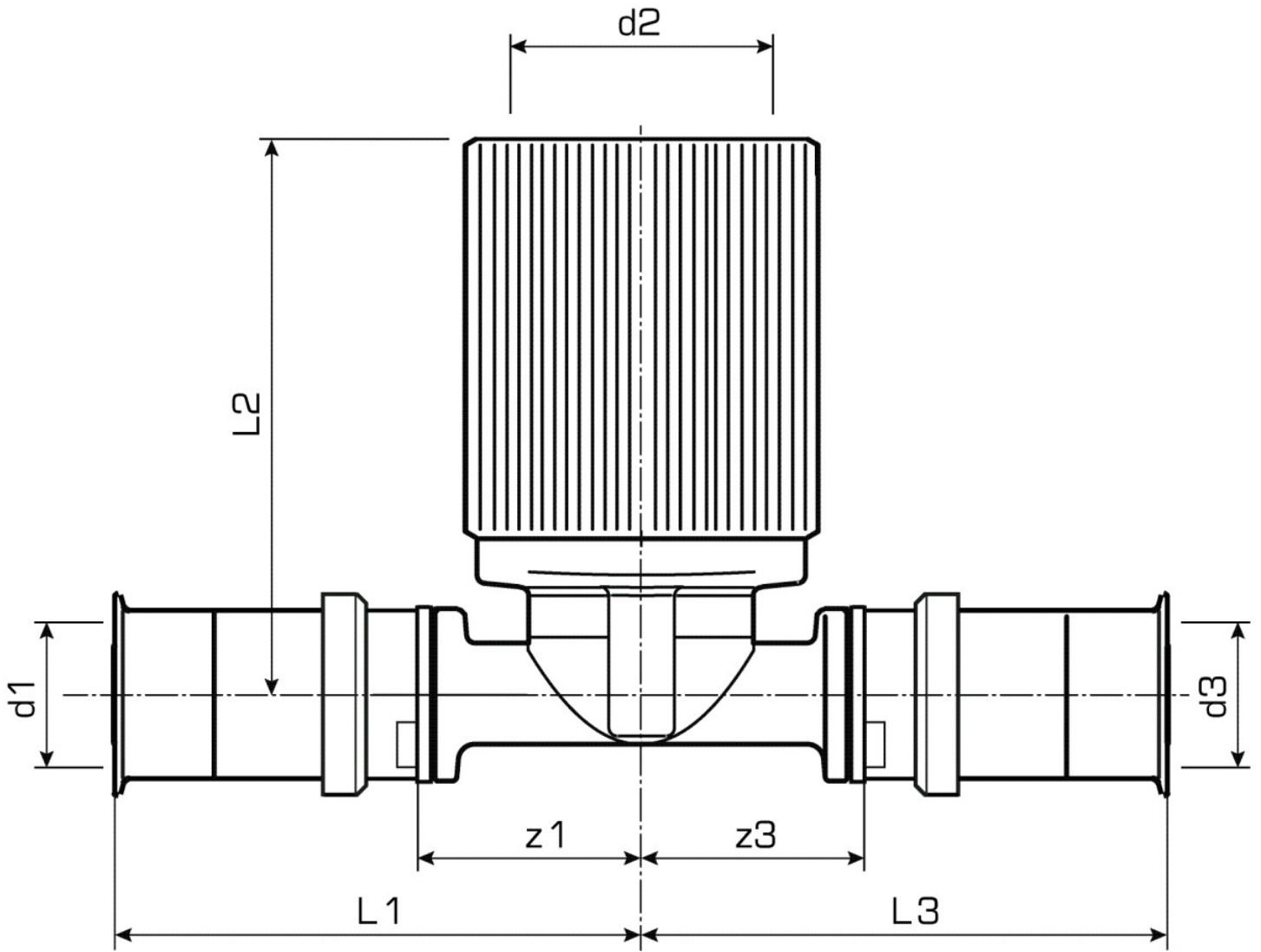
port 1	Pressmuffe
port 3	Pressmuffe
execution	T-Stück
press contour	U

Technical properties

maximum working pressure at 20 ° C	16 bar
------------------------------------	--------

Product information

VPE1	5,00 SA1
VPE2	25,00 KT1
VPE3	1500,00 PAL
weight	0,300 KGM
text	KELOX-ULTRAX-W cistern connection tee
INTRNR	74122000
main material group	KELOX
code	KMW482T



Art. No	label	d2	d1 mm	d3 mm	L1 mm	L2 mm	L3 mm	z1 mm	z3 mm
71459B2B	16x1/2"	1/2" (15)	16	16	47	36	47	22	22