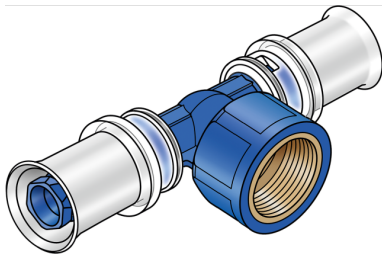


KELOX

KWW447 KELOX-WINDOW-W tee with branch female 20x1/2"

72440D02

Areas of application



?Zeta value-optimised press-fit tee with female thread branch, made from PPSU, including support sleeves with O-rings and stainless steel press-fit sleeves "leak before pressed", audible leakage signal at air-pressure testing

DO NOT screw in threaded pipes and cast iron fittings!

DO NOT use liquid sealants or thread sealing tapes!

Approvals:



Specifications

Article information

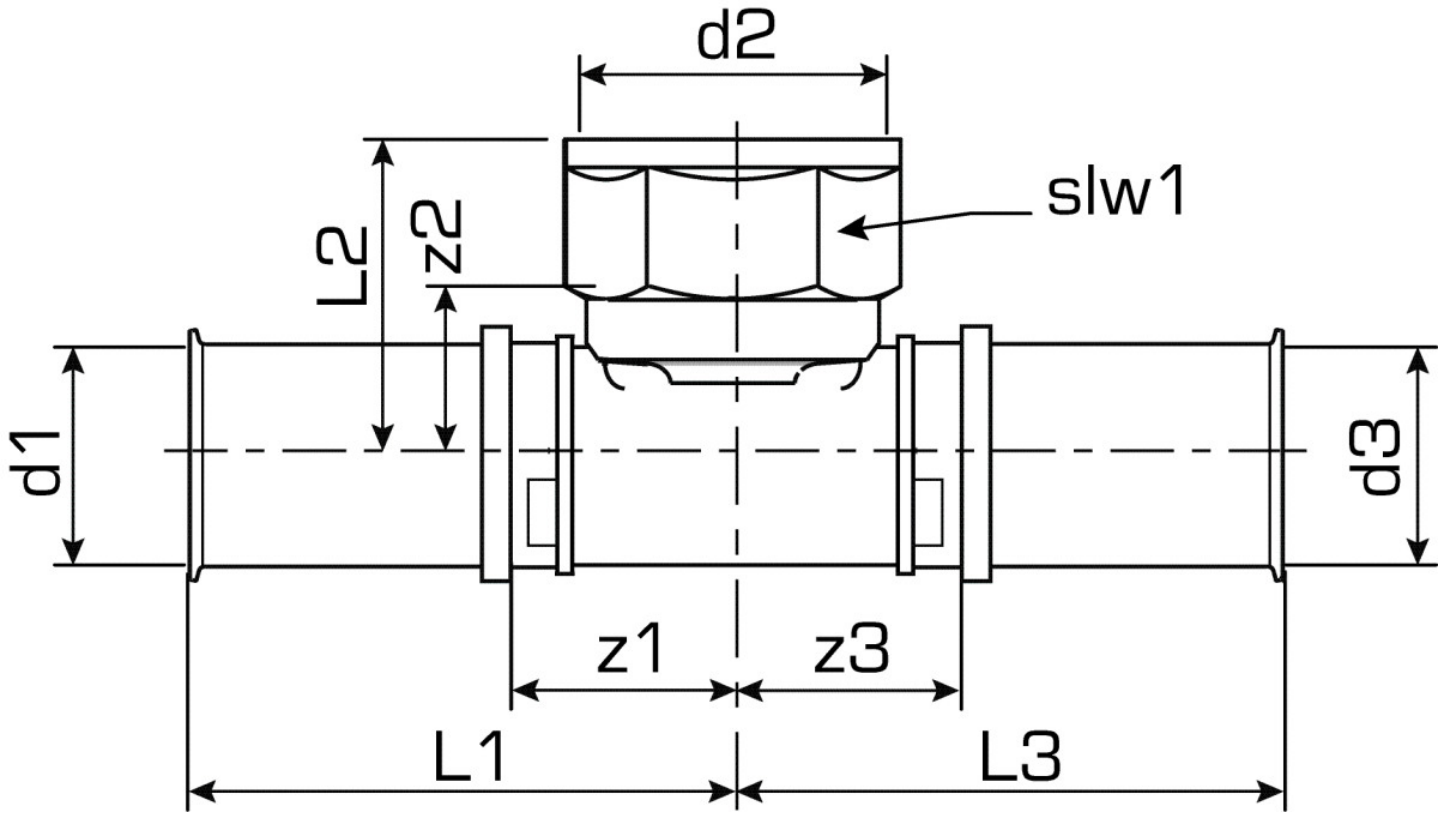
port 1	Pressmuffe
port 2	Innengewinde zylindrisch BSPT-Rp (ISO 7-1 / EN 10226-1)
port 3	Pressmuffe
press contour	U

Technical properties

maximum working pressure at 20 ° C	16 bar
------------------------------------	--------

Product information

VPE1	5,00 SA1
VPE2	20,00 KT1
VPE3	1440,00 PAL
weight	0,056 KGM
text	KELOX-WINDOWX-W tee with branch female
INTRNR	74122000
main material group	KELOX
code	KWW447



Art. No	label	d2	d1 mm	d3 mm	L1 mm	L2 mm	L3 mm	z1 mm	z2 mm	z3 mm
72440D02	20x1/2"	1/2" (15)	20	20	50	33	50	24	20	24