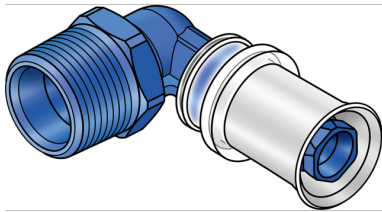


KELOX

KWW460 KELOX-WINDOWX-W adapter elbow 90° with male thread 25x1"

72412E05

Areas of application



?Zeta value-optimised press-fit adapter bracket with female thread for sealing, made from dezincification-resistant (DZR) brass, including support sleeves with O-rings and stainless steel press-fit sleeves "leak before pressed", audible leakage signal at air-pressure testing
DO NOT use liquid sealants or thread sealing tapes!

Approvals:



Specifications

Article information

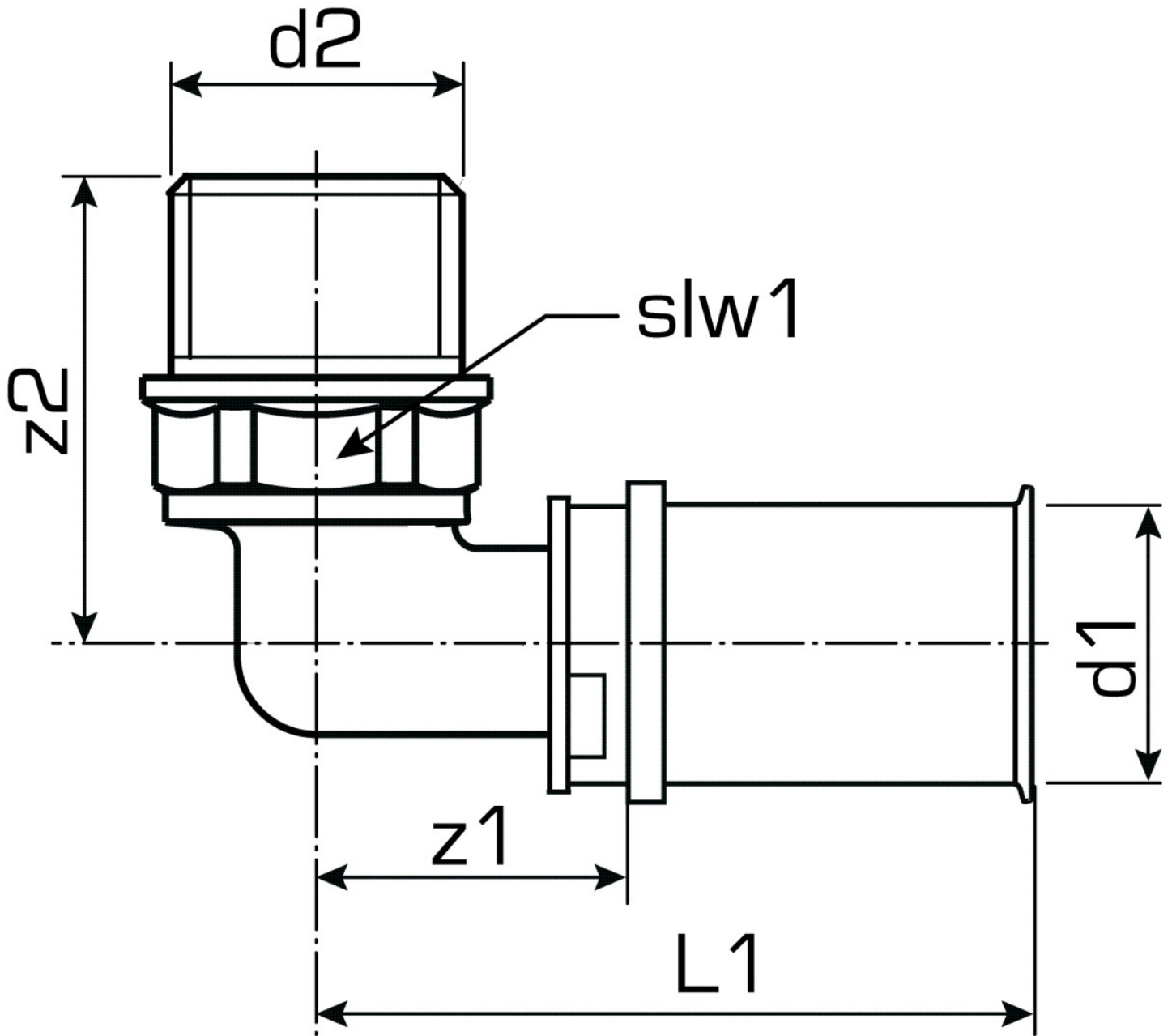
port 1	Pressmuffe
port 2	Außengewinde konisch BSPT-R (ISO 7-1 / EN 10226-1)
design	Winkel
angle	90 °
press contour	U

Technical properties

maximum working pressure at 20 ° C	16 bar
------------------------------------	--------

Product information

VPE1	5,00 SA1
VPE2	20,00 KT1
VPE3	2160,00 PAL
weight	0,059 KGM
text	KELOX-WINDOWX-W adapter elbow 90° with male thread
INTRNR	74122000
main material group	KELOX
code	KWW460



Art. No	label	d2	d1 mm	L1 mm	L2 mm	z1 mm
72412E05	25x1"	1"	25	55	50	25