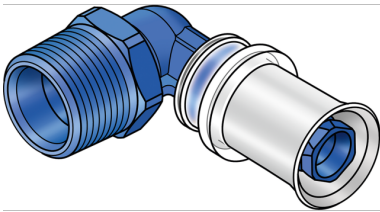


# KELOX

## KWW460 KELOX-WINDOW-W adapter elbow 90° with male thread 32x1"

72412F05

### Areas of application



?Zeta value-optimised press-fit adapter bracket with female thread for sealing, made from dezincification-resistant (DZR) brass, including support sleeves with O-rings and stainless steel press-fit sleeves "leak before pressed", audible leakage signal at air-pressure testing  
DO NOT use liquid sealants or thread sealing tapes!

## Approvals:



# Specifications

## Article information

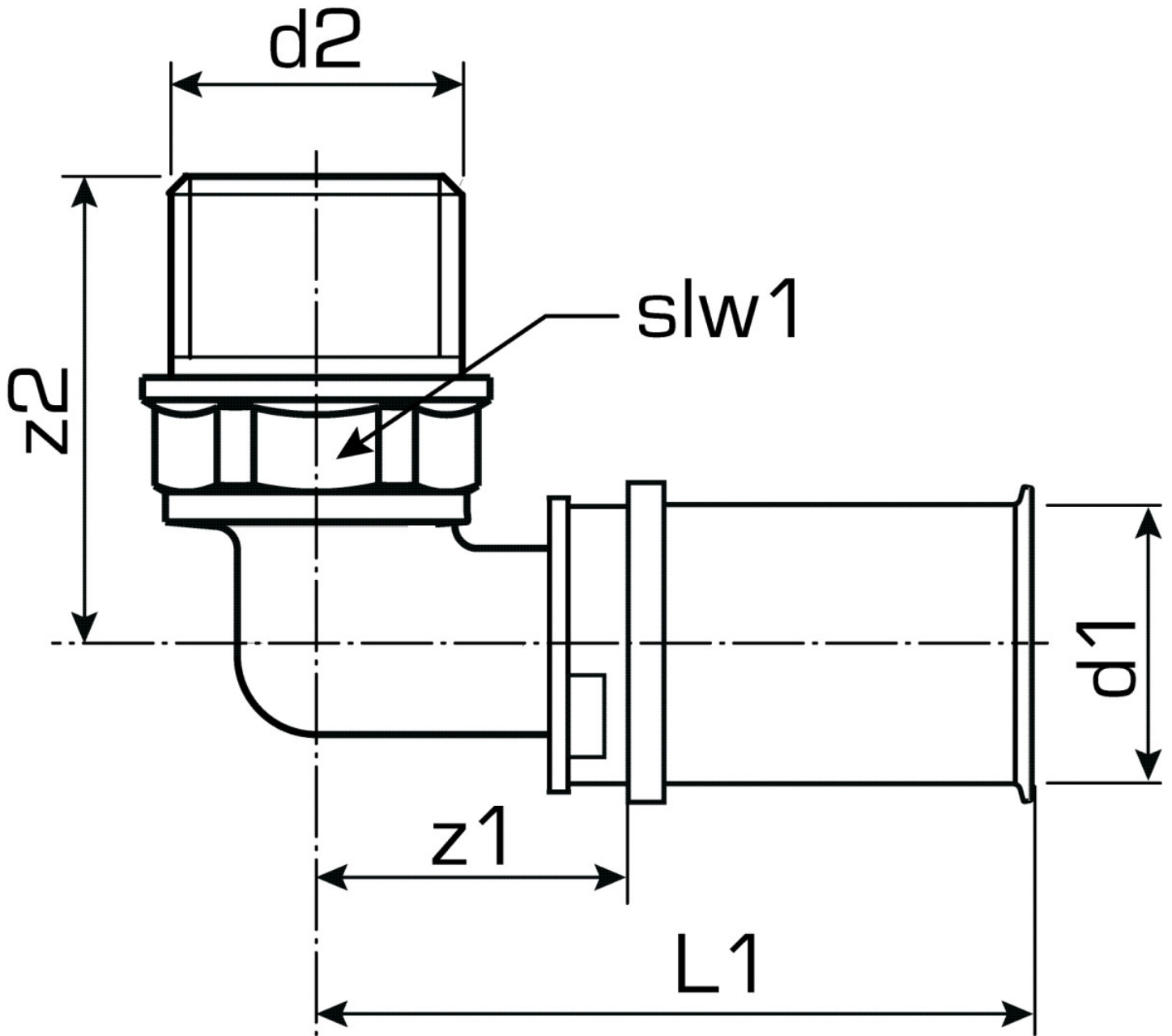
port 1	Pressmuffe
port 2	Außengewinde konisch BSPT-R (ISO 7-1 / EN 10226-1)
design	Winkel
angle	90 °
press contour	U

## Technical properties

maximum working pressure at 20 ° C	16 bar
------------------------------------	--------

## Product information

VPE1	5,00 SA1
VPE2	15,00 KT1
VPE3	1080,00 PAL
weight	0,072 KGM
text	KELOX-WINDOWX-W adapter elbow 90° with male thread
INTRNR	74122000
main material group	KELOX
code	KWW460



Art. No	label	d2	d1 mm	L1 mm	L2 mm	z1 mm
72412F05	32x1"	1"	32	55	54	25