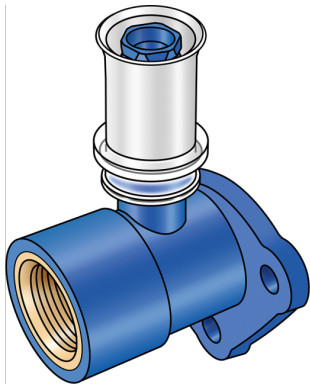


KELOX

KWW480 KELOX-WINDOW-W wall bracket fitting 90° with female thread 20x1/2"

72452D02

Areas of application



?Zeta value-optimised press-fit wall bracket fitting with female thread, made from PPSU, including support sleeves with O-rings and stainless steel press-fit sleeves "leak before pressed", audible leakage signal at air-pressure testing

Overall height: 1/2" - 50mm

Overall height: 3/4" - 50.5mm

DO NOT screw in threaded pipes and cast iron fittings!

DO NOT use liquid sealants!

Approvals:



Specifications

Article information

port 1 Pressmuffe

press contour U

Technical properties

maximum working pressure at 20 ° C 10 bar

Product information

VPE1 10,00 SA1

VPE2 20,00 KT1

VPE3 1440,00 PAL

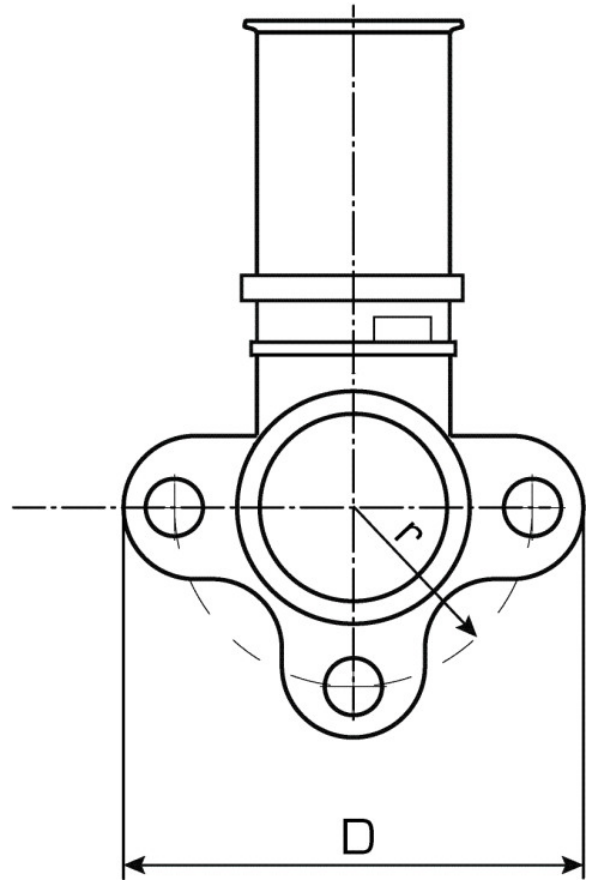
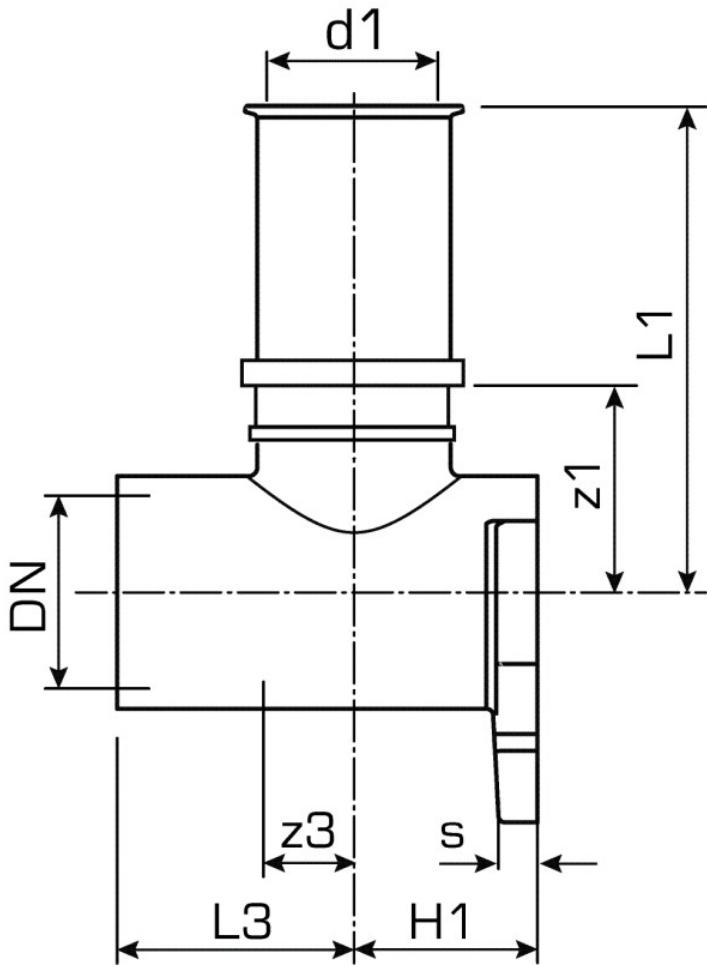
weight 0,080 KGM

text KELOX-WINDOWX-W wall bracket fitting 90° with female thread

INTRNR 74122000

main material group KELOX

code KWW480



Art. No	label	d1 mm	L1 mm	L3 mm	z1 mm	z3 mm
72452D02	20x1/2"	20	49,5	29	23,5	10