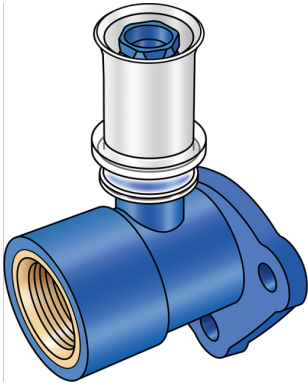


# KELOX

## KWW480 KELOX-WINDOW-W wall bracket fitting 90° with female thread 20x3/4"

72452D04

### Areas of application



?Zeta value-optimised press-fit wall bracket fitting with female thread, made from PPSU, including support sleeves with O-rings and stainless steel press-fit sleeves "leak before pressed", audible leakage signal at air-pressure testing

Overall height: 1/2" - 50mm

Overall height: 3/4" - 50.5mm

DO NOT screw in threaded pipes and cast iron fittings!

DO NOT use liquid sealants!

## Approvals:



# Specifications

## Article information

**port 1** Pressmuffe

**press contour** U

## Technical properties

**maximum working pressure at 20 ° C** 10 bar

## Product information

**VPE1** 10,00 SA1

**VPE2** 20,00 KT1

**VPE3** 1440,00 PAL

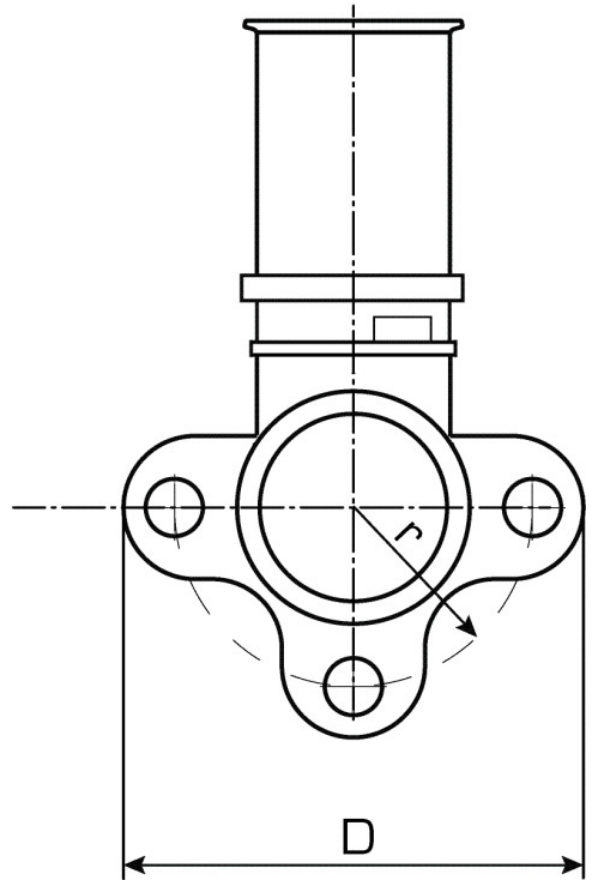
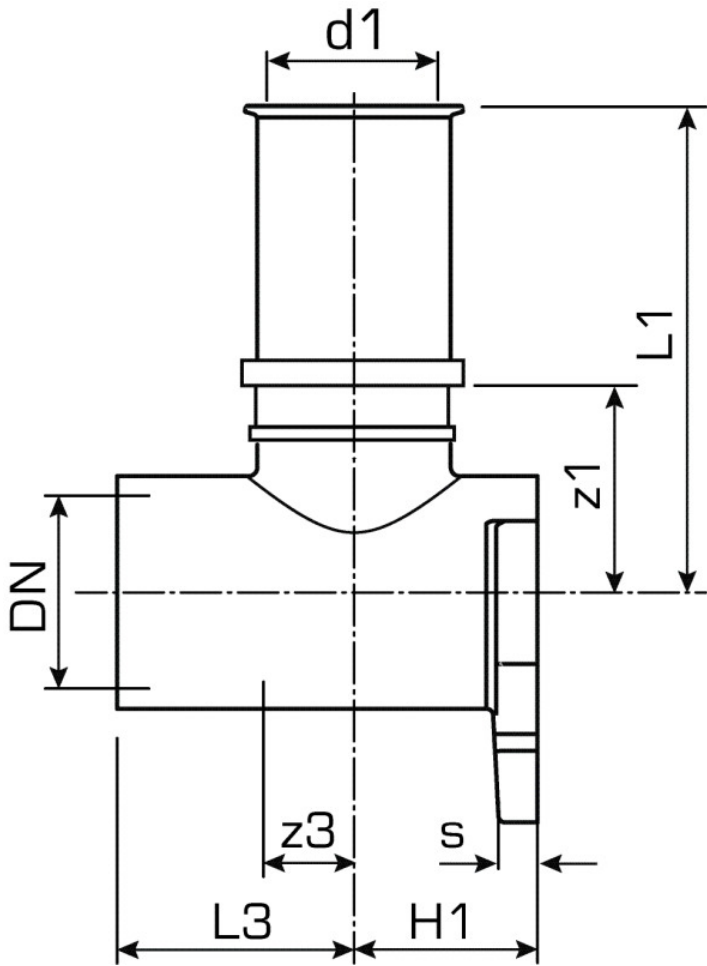
**weight** 0,058 KGM

**text** KELOX-WINDOWX-W wall bracket fitting 90° with female thread

**INTRNR** 74122000

**main material group** KELOX

**code** KWW480



Art. No	label	d1 mm	L1 mm	L3 mm	z1 mm	z3 mm
72452D04	20x3/4"	20	49,5	29	26,5	9,5