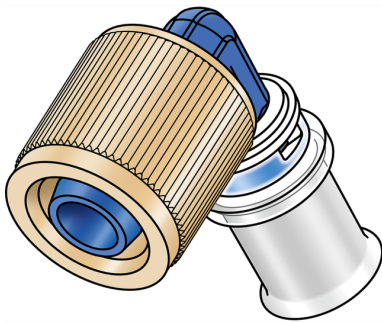


KELOX

KWW482W KELOX-WINDOWX-W cistern
connection elbow 90° with female thread 16x1/2"

72459B02

Areas of application



Zeta value-optimised 90° cistern elbow with female-threaded union, made from PPSU, including support sleeves with O-rings and stainless steel press-fit sleeves, "leak before pressed", audible leakage signal at air-pressure testing

Suitable for cisterns from the manufacturers Burda (K750/K760), Geberit, Grohe and TECE

Approvals:



Specifications

Article information

port 1 Pressmuffe

press contour U

Technical properties

maximum working pressure at 20 ° C 16 bar

Product information

VPE1 10,00 SA1

VPE2 20,00 KT1

VPE3 1440,00 PAL

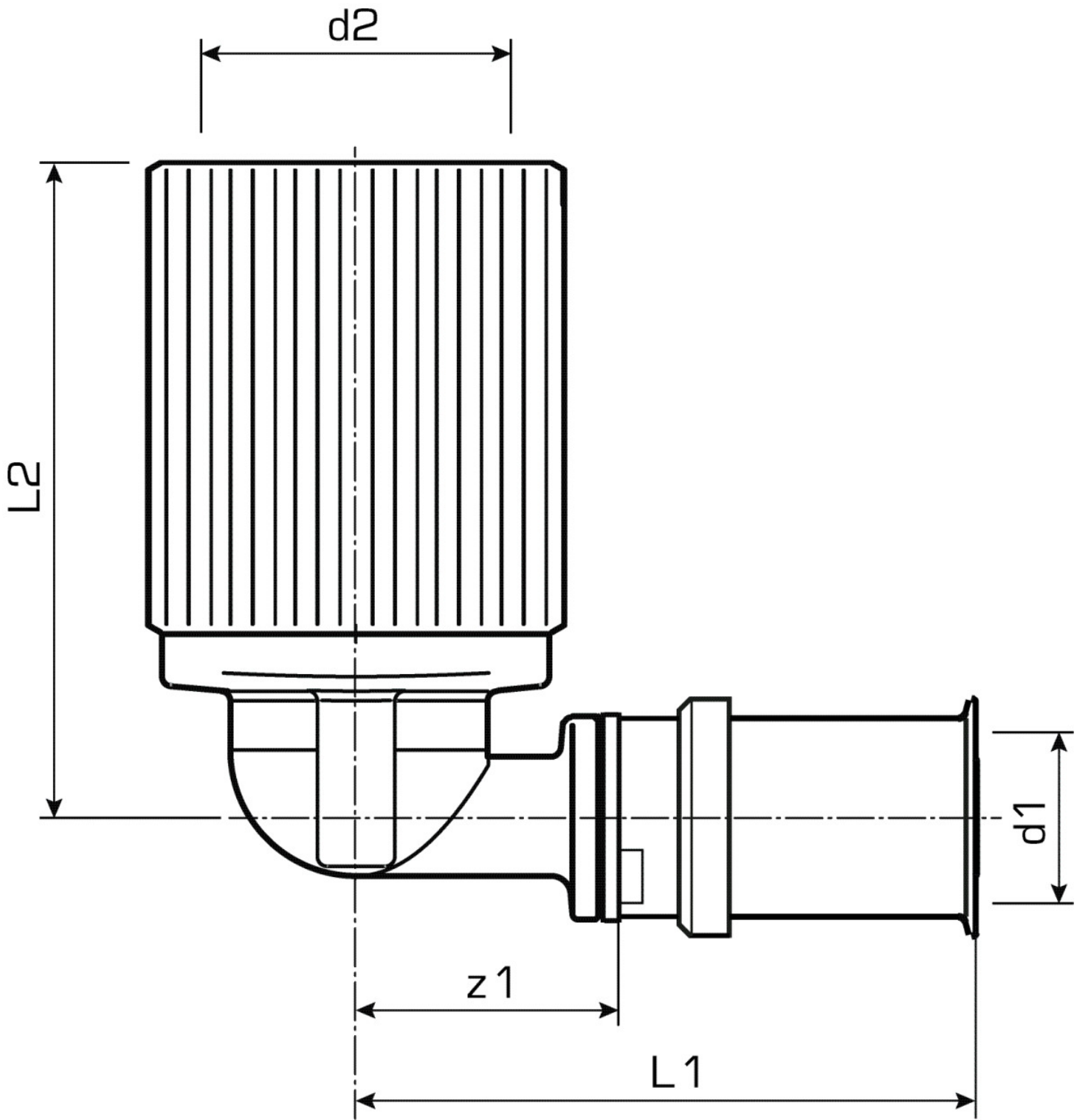
weight 0,080 KGM

text KELOX-WINDOWX-W cistern connection elbow 90° with female thread

INTRNR 74122000

main material group KELOX

code KWW482W



Art. No	label	d2	d1 mm	L1 mm	L2 mm	z1 mm
72459B02	16x1/2"	1/2" (15)	16	47	37	22



KE KELIT GmbH

A 4020 Linz, Ignaz-Mayer-Straße 17, Austria, Europe

PHONE +43 (0) 50 779 **E-MAIL** office@kekelit.com

www.kekelit.com