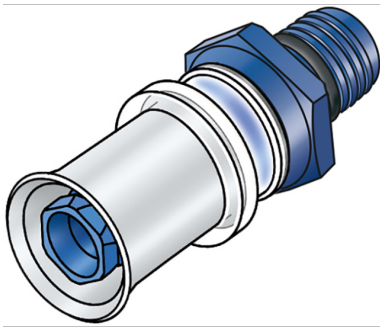


# KELOX

## KWW558 KELOX-WINDOWX-W manifold press-fit adapter 20

72490ED0

### Areas of application



?Zeta value-optimised manifold connection with press-fit adapter, made from PPSU, including support sleeves with O-rings and stainless steel press-fit sleeves for screwing manually into the WINDOWX-U manifold KWU550, "leak before pressed", audible leakage signal at air-pressure testing

### Approvals:



# Specifications

## Article information

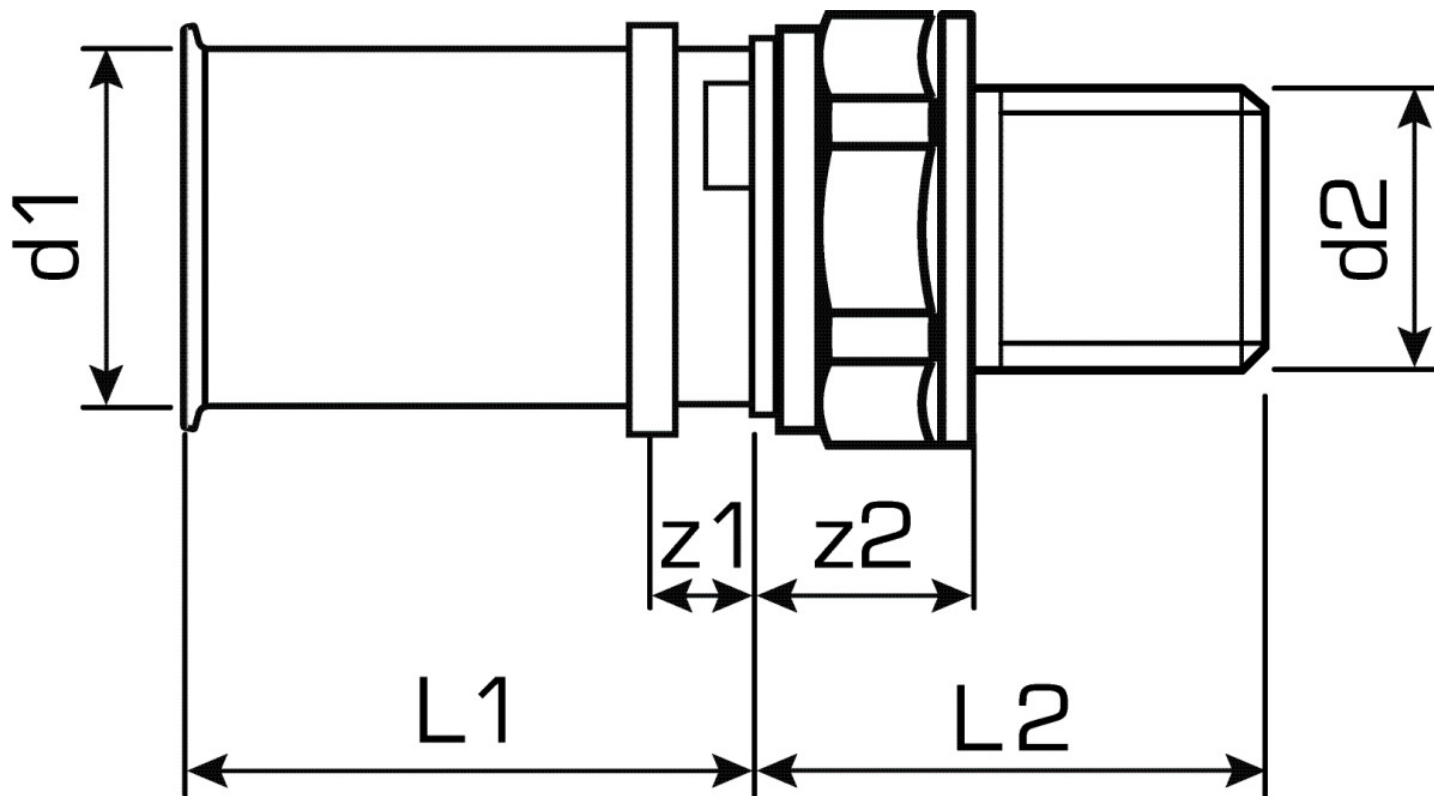
port 1	Pressmuffe
port 2	Außengewinde konisch BSPT-R (ISO 7-1 / EN 10226-1)
design	gerade
press contour	U

## Technical properties

maximum working pressure at 20 ° C	16 bar
------------------------------------	--------

## Product information

VPE1	5,00 SA1
VPE2	50,00 KT1
weight	0,024 KGM
text	KELOX-WINDOWX-W manifold press-fit adapter
INTRNR	39174000
main material group	KELOX
code	KWW558



Art. No	label	d1 mm
72490ED0	20	20