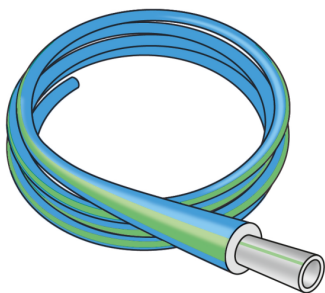


# STEELOX

## SMX134 STEELOX Plus pipe - 4mm 16x2

57011B00

### Areas of application



STEELOX pipe conforming to ÖNORM B 5175, oxygen- and steam diffusion-tight multi-layer composite pipe made of stainless steel/PE-RT, with factory-applied 4mm closed-cell soft foam insulation material and protective jacket made of viscoplastic PE film

Classification of operating conditions as per ÖNORM B 5175 - Class 2:

70°C/10 bar, max. operating temperature up to 80°C - accident temperature 100°C (max. 100h)

Insulation material thickness: 4mm

Colour: blue

Supplied in coils

## Approvals:



# Specifications

## Article information

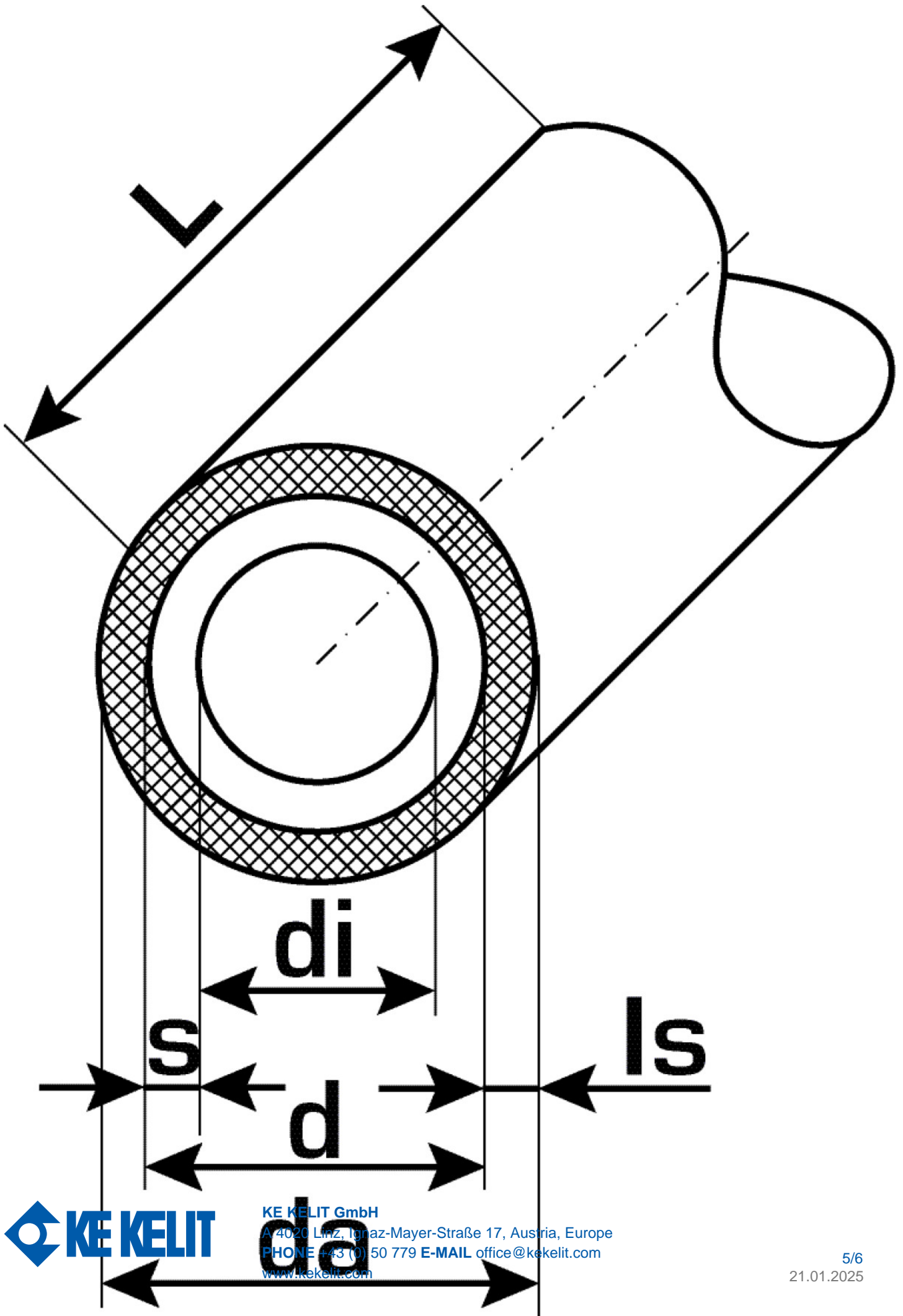
|                         |  |
|-------------------------|--|
| <b>color</b>            | Silver with green longitudinal stripes |
| <b>colour isolation</b> | Blue                                   |
| <b>flexible</b>         | Yes                                    |
| <b>trade length</b>     | 50 m                                   |
| <b>isolation</b>        | Yes                                    |

## Technical properties

|   |                |
|---|----------------|
| <b>maximum working pressure at 20 ° C</b> | 10 bar         |
| <b>thick thermal insulation</b>           | 4 mm           |
| <b>pipe weight</b>                        | 0,15 kg/m      |
| <b>pipe contents</b>                      | 0,113 l/m      |
| <b>lambda pipe</b>                        | 0,45 W/(m.K)   |
| <b>wall rawness</b>                       | 0,01 mm        |
| <b>expansion coefficient</b>              | 0,045 mm/(m.K) |

## Product information

|        |                         |
|--------|-------------------------|
| VPE1   | 50,00 ROL               |
| VPE2   | 900,00 PAL              |
| L      | 50 m                    |
| weight | 0,156 KGM               |
| text   | STEELOX Plus pipe - 4mm |
| INTRNR | 39173900                |
| code   | SMX134                  |



| Art. No  | label | d1 mm | d Jacket tube mm | pipe contents l/m | s mm |
|----------|-------|-------|------------------|-------------------|------|
| 57011B00 | 16x2  | 16    | 24               | 0,113             | 2    |



**KE KELIT GmbH**

A 4020 Linz, Ignaz-Mayer-Straße 17, Austria, Europe

**PHONE** +43 (0) 50 779 **E-MAIL** [office@kekelit.com](mailto:office@kekelit.com)

[www.kekelit.com](http://www.kekelit.com)