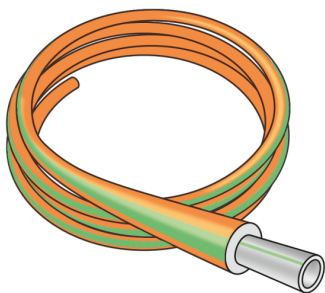


STEELOX

SMX133 STEELOX Plus pipe - 13mm 16x2

57018B00

Areas of application



STEELOX pipe conforming to ÖNORM B 5175, oxygen- and steam diffusion-tight multi-layer composite pipe made of stainless steel/PE-RT, with factory-applied 13 mm closed-cell soft foam insulation material and protective jacket made of viscoplastic PE film

Classification of operating conditions as per ÖNORM B 5175 - Class 2:

70°C/10 bar, max. operating temperature up to 80°C - accident temperature 100°C (max. 100h)

Insulation material thickness: 13 mm

Colour: orange

Supplied in coils

Approvals:



Specifications

Article information

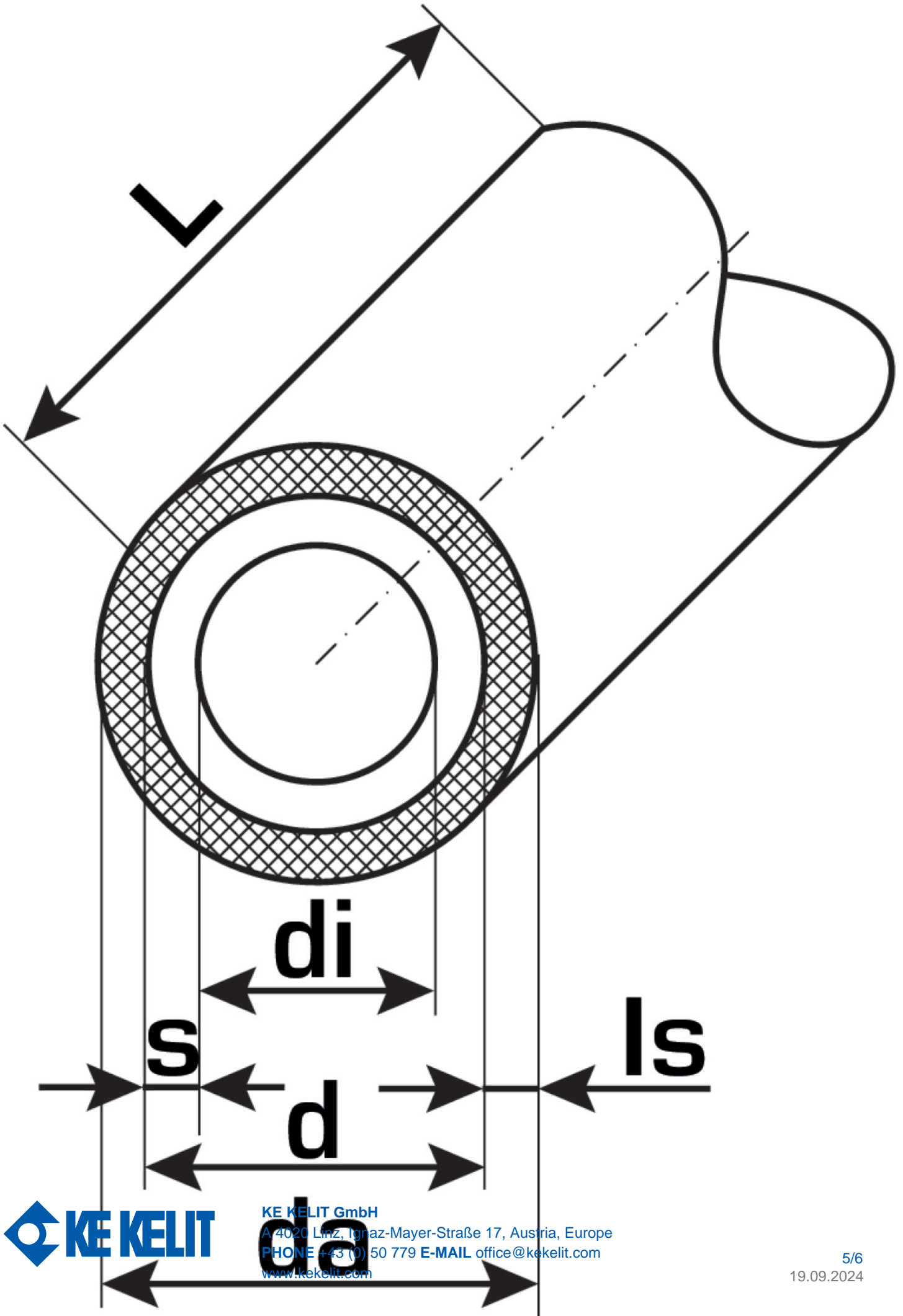
color	Silver with green longitudinal stripes
colour isolation	Miscellaneous
flexible	Yes
trade length	50 m
isolation	Yes

Technical properties

maximum working pressure at 20 ° C	10 bar
thick thermal insulation	13
pipe weight	0.21 kg/m
pipe contents	0.113 l/m
lambda pipe	0.45 W/(m.K)
wall rawness	0.01
expansion coefficient	0.045 mm/(m.K)

Product information

VPE1	50 ROL
VPE2	600 PAL
L	50 m
weight	0,21 KGM
text	STEELOX Plus pipe - 13mm
INTRNR	39173900
code	SMX133



Art. No	label	d1	d Jacket tube	pipe contents l/m	s mm
57018B00	16x2	16	42	0.113	2



KE KELIT GmbH

A 4020 Linz, Ignaz-Mayer-Straße 17, Austria, Europe

PHONE +43 (0) 50 779 **E-MAIL** office@kekelit.com

www.kekelit.com