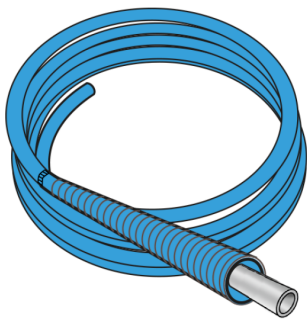


STEELOX

SMX140 STEELOX Pro pipe 16x2/25

57021B00

Areas of application



STEELOX pipe conforming to ÖNORM B 5175, oxygen- and steam diffusion-tight multi-layer composite pipe made of stainless steel/PE-RT, with a factory-applied sleeve consisting of a corrugated, watertight protective jacket made of PE-HD

Classification of operating conditions as per ÖNORM B 5175 - Class 2:

70°C/10 bar, max. operating temperature up to 80°C - accident temperature 100°C (max.

100h) Colour: blue

Supplied in coils

Approvals:



Specifications

Article information

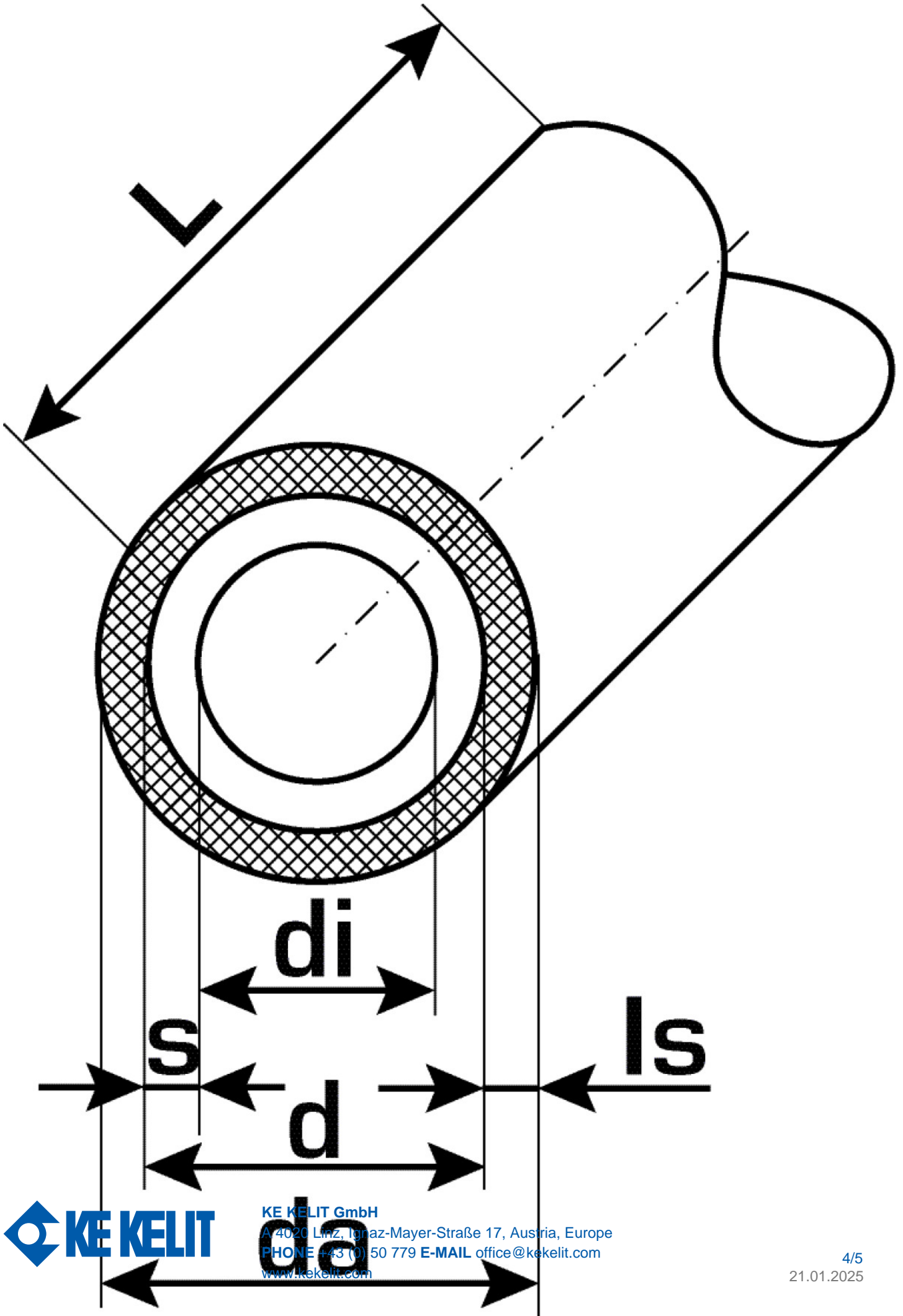
color	Silver with green longitudinal stripes
flexible	Yes
trade length	50 m
isolation	No

Technical properties

maximum working pressure at 20 ° C	10 bar
pipe weight	0,18 kg/m
pipe contents	0,113 l/m
lambda pipe	0,45 W/(m.K)
wall rawness	0,01 mm
expansion coefficient	0,045 mm/(m.K)

Product information

VPE1	50,00 ROL
L	50 m
weight	0,180 KGM
text	STEELOX Pro pipe
INTRNR	39172110
code	SMX140



Art. No	label	d1 mm	d Jacket tube mm	pipe contents l/m	s mm
57021B00	16x2/25	16	25	0,113	2



KE KELIT GmbH

A 4020 Linz, Ignaz-Mayer-Straße 17, Austria, Europe

PHONE +43 (0) 50 779 **E-MAIL** office@kekelit.com

www.kekelit.com