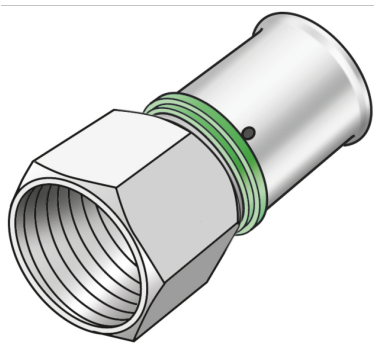


STEELOX

SMX457 ?STEELOX adapter with female thread 20x3/4"

57206D04

Areas of application



?Press-fit adapter with female thread, made of non-porous metallised dezincification-resistant brass (DZR), incl. support sleeves with O-rings and stainless steel pressing sleeves, "leak before pressed" for d16–50mm

DO NOT join threaded pipe or malleable iron fittings!

Approvals:



Specifications

Article information

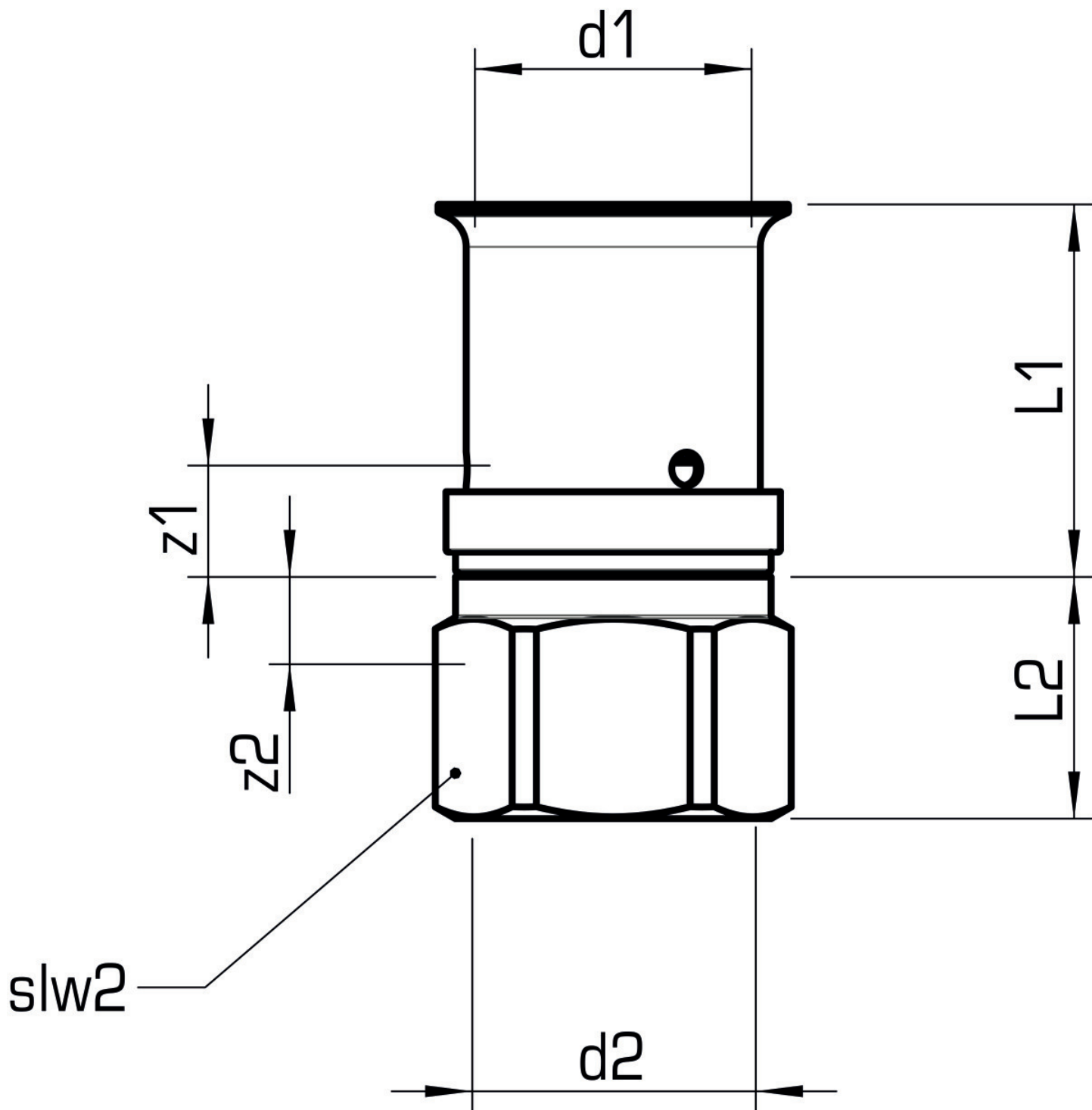
| | |
|---------------|---|
| port 1 | Pressing socket |
| port 2 | Female thread cylindrical BSPT-Rp (ISO 7-1) |
| execution | 1-part |
| design | Straight |
| press contour | SX |

Technical properties

| | |
|------------------------------------|--------|
| maximum working pressure at 20 ° C | 10 bar |
|------------------------------------|--------|

Product information

| | |
|--------|-------------------------------------|
| VPE1 | 10,00 SA1 |
| VPE2 | 180,00 KT1 |
| weight | 0,087 KGM |
| text | ?STEELOX adapter with female thread |
| INTRNR | 74122000 |
| code | SMX457 |



| Art. No | label | d2 Inches | d1 mm | L1 mm | L2 mm | z1 mm | z2 mm | slw1 | slw2 mm |
|----------|---------|--------------|-------|-------|-------|-------|-------|------|------------|
| 57206D04 | 20x3/4" | 3/4" (20) | 20 | 30 | 16 | 16 | 4 | 32 | 32 |



KE KELIT GmbH

A 4020 Linz, Ignaz-Mayer-Straße 17, Austria, Europe

PHONE +43 (0) 50 779 **E-MAIL** office@kekelit.com

www.kekelit.com