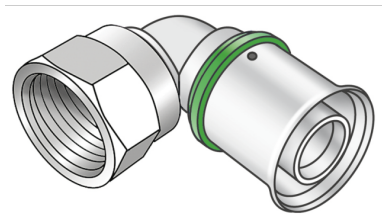


STEELOX

SMX467 ?STEELOX 90° adapter elbow with female thread 20x1/2"

57216D02

Areas of application



?Press-fit adapter elbow with female thread, made of non-porous metallised dezincification-resistant brass (DZR), incl. support sleeves with O-rings and stainless steel pressing sleeves, "leak before pressed"

DO NOT join threaded pipe or malleable iron fittings!

Approvals:



Specifications

Article information

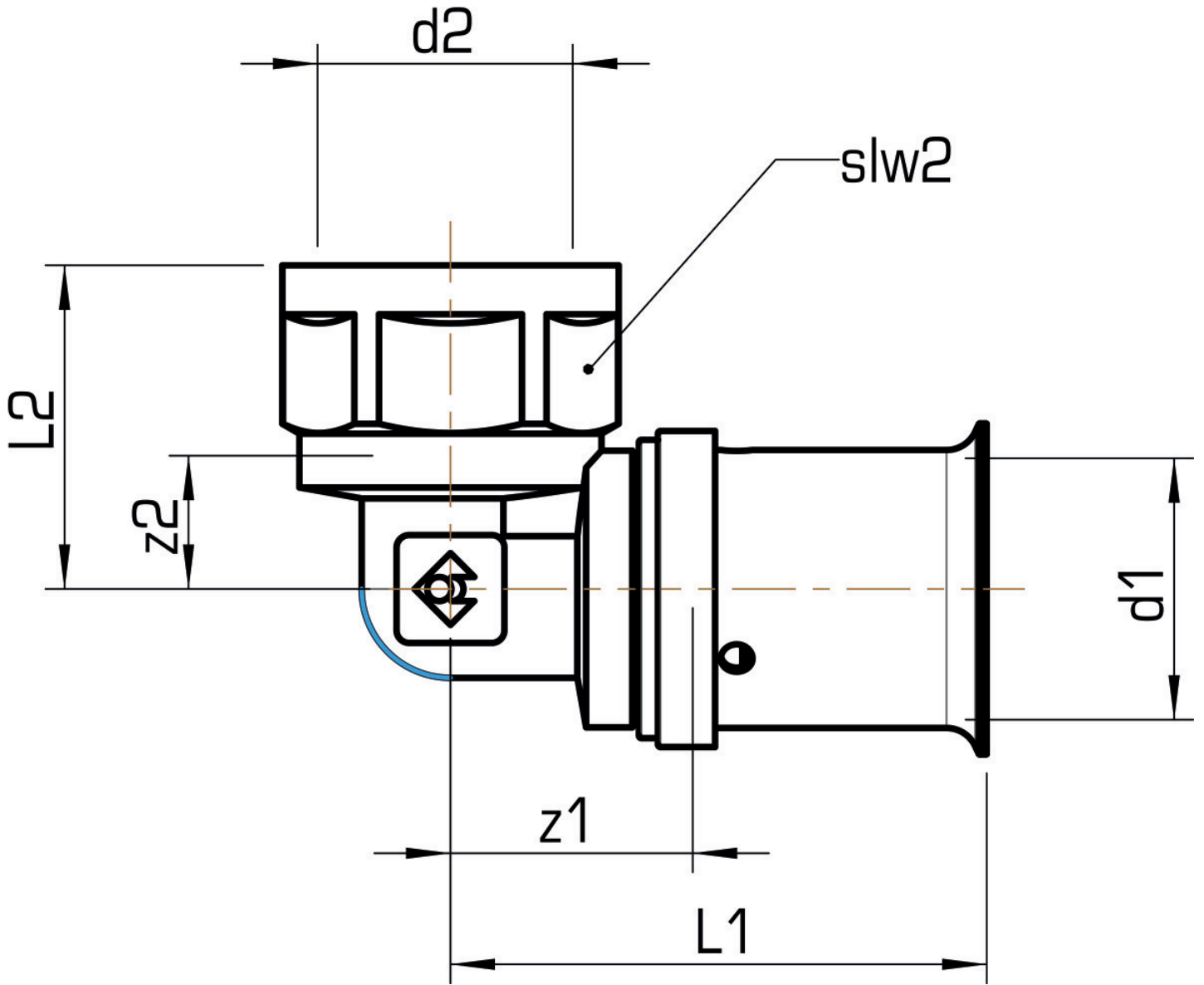
| | |
|---------------|---|
| port 1 | Pressing socket |
| port 2 | Innengewinde zylindrisch BSPT-Rp (ISO 7-1 / EN 10226-1) |
| execution | 1-part |
| design | Knee |
| angle | 90 ° |
| press contour | SX |

Technical properties

| | |
|------------------------------------|--------|
| maximum working pressure at 20 ° C | 10 bar |
|------------------------------------|--------|

Product information

| | |
|--------|---|
| VPE1 | 10,00 SA1 |
| VPE2 | 160,00 KT1 |
| weight | 0,082 KGM |
| text | ?STEELOX 90° adapter elbow with female thread |
| INTRNR | 74122000 |
| code | SMX467 |



| Art. No | label | d2 Inches | d1 mm | L1 mm | L2 mm | z1 mm | z2 mm | slw1 mm | slw2 mm |
|----------|---------|--------------|-------|-------|-------|-------|-------|------------|------------|
| 57216D02 | 20x1/2" | 1/2" (15) | 20 | 56 | 29 | 30,5 | 29 | 24 | 24 |