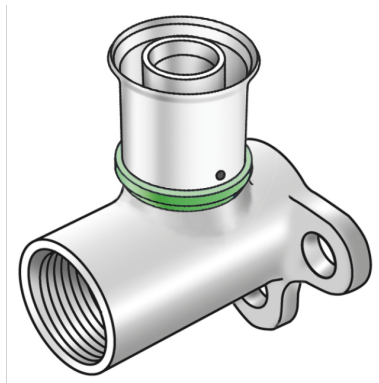


# STEELOX

SMX480 ?STEELOX 90° wall bracket fitting with female thread 16x1/2"

57250B02

## Areas of application



Press wall bracket fitting with female thread made from non-porous metallised dezincification-resistant (DZR) brass; including support sleeves with O-rings and stainless steel press-fit sleeves, "leak before pressed"

Overall height:

1/2" - 46.5mm

3/4" - 50mm

DO NOT screw in threaded pipes and cast iron fittings!

## Approvals:



# Specifications

## Article information

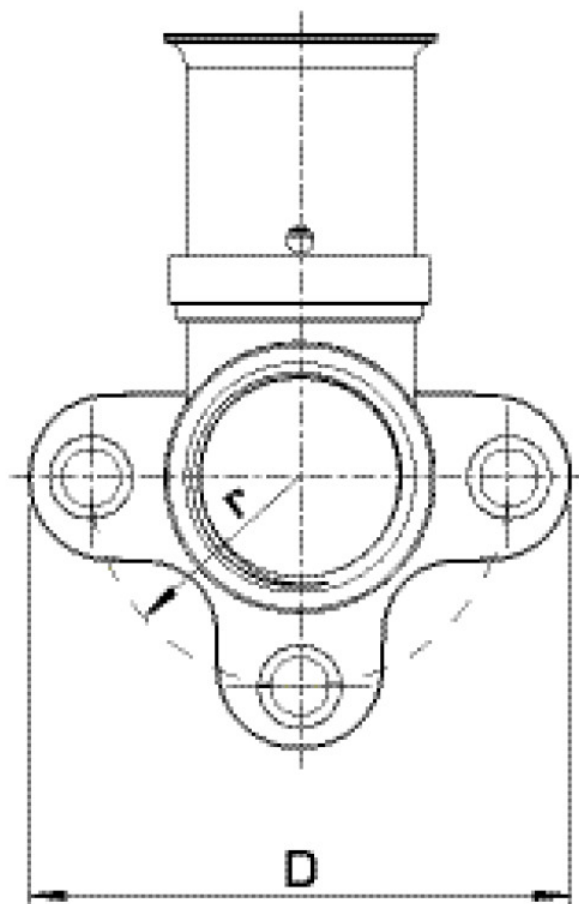
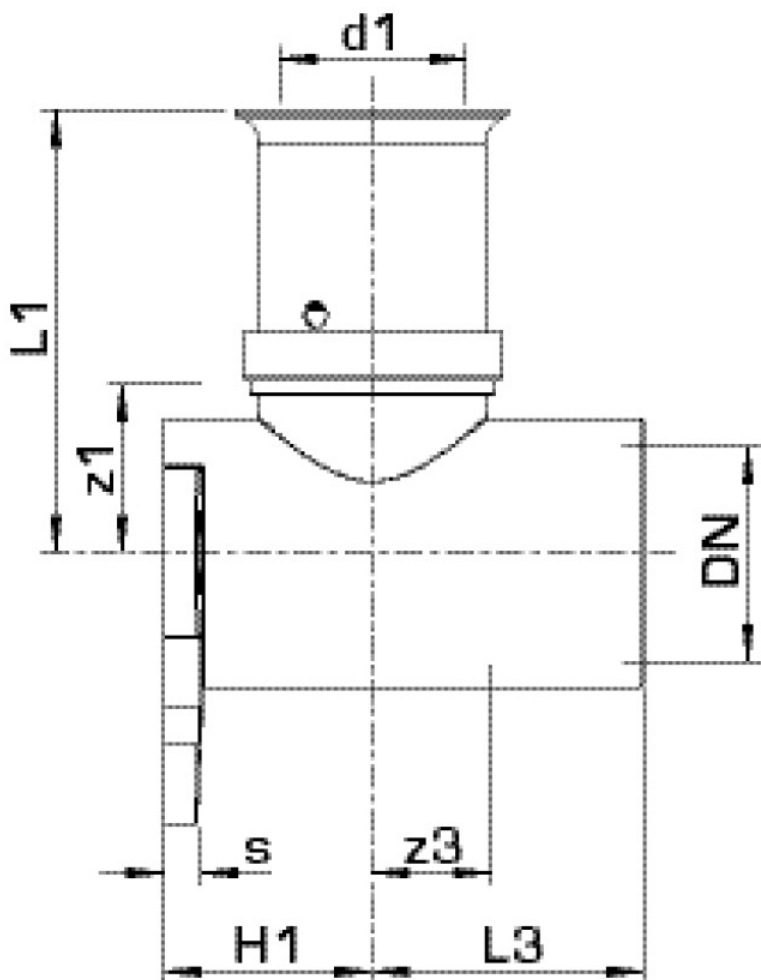
<b>port 1</b>	Pressing socket
<b>design</b>	Continuously right-angled
<b>press contour</b>	SX

## Technical properties

<b>maximum working pressure at 20 ° C</b>	10 bar
---	--------

## Product information

<b>VPE1</b>	10,00 SA1
<b>VPE2</b>	100,00 KT1
<b>weight</b>	0,144 KGM
<b>text</b>	?STEELOX 90° wall bracket fitting with female thread
<b>INTRNR</b>	74122000
<b>code</b>	SMX480



Art. No	label	d1 mm	L1 mm	L2	L3 mm	z1 mm	z2	z3 mm
57250B02	16x1/2"	16	42,5	26,5	26,5	20	15	9,5