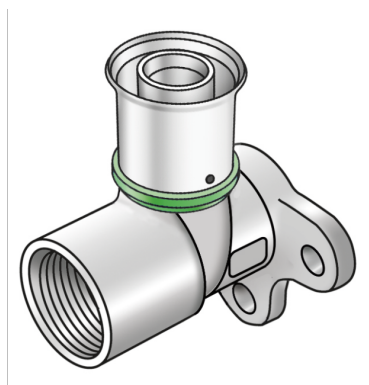


STEELOX

SMX480Z ?STEELOX zeta 90° wall bracket fitting with female thread 20x1/2"

57252D02

Areas of application



Zeta value-optimised press-fit wall bracket fitting with female thread made of non-porous metallised dezincification-resistant (DZR) brass, including support sleeves with O-rings and stainless steel press-fit sleeves, "leak before pressed"

Overall height:

1/2" - 46mm

DO NOT screw in threaded pipes and cast iron fittings!

Approvals:



Specifications

Article information

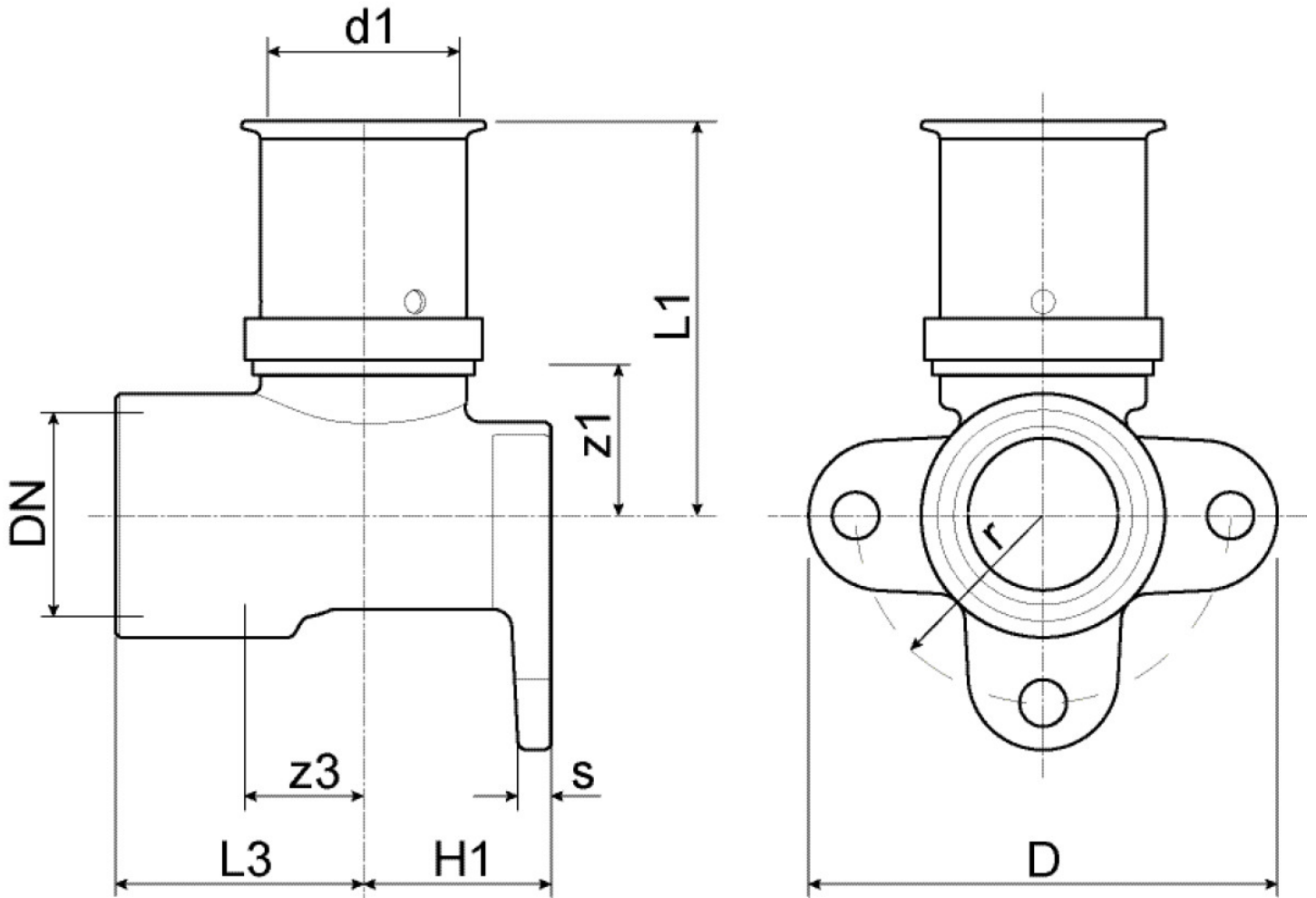
port 1	Pressing socket
design	Continuously right-angled
press contour	SX

Technical properties

maximum working pressure at 20 ° C	10 bar
------------------------------------	--------

Product information

VPE1	10,00 SA1
VPE2	100,00 KT1
weight	0,138 KGM
text	?STEELOX zeta 90° wall bracket fitting with female thread
INTRNR	74122000
code	SMX480Z



Art. No	label	d1 mm	L1 mm	L2	L3 mm	z1 mm	z2	z3 mm
57252D02	20x1/2"	20	42,5	26,5	25	17	15	6,5