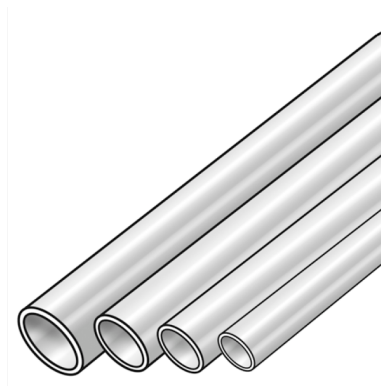


STEEL FIX C-STAHl

CF150 STEELFIX carbon steel pipe female/male
galv. 54x1.5

54031H00

Areas of application



Thin-walled, longitudinally welded stainless steel pipes according to EN 10305-3 with particularly low carbon content and with the inside and outside coated with a thermally applied Sendzimir-zinc layer and the outside additionally protected by a passivating/chromium layer

Application area: Purple protective caps

Rod length: 6m

Application areas:

Closed wet sprinkler systems:

d15 - 108 mm - 35°C to 70°C/16bar

Dry compressed air systems (in conjunction with press fittings ONLY):

d15 - 54 mm - max. 16 bar

d76 - 108 mm - max. 10 bar



KE KELIT GmbH

A 4020 Linz, Ignaz-Mayer-Straße 17, Austria, Europe

PHONE +43 (0) 50 779 **E-MAIL** office@kekelit.com

www.kekelit.com

Specifications

Technical properties

pipe weight 1,99 kg/m

pipe contents 2,043 l/m

Product information

VPE1 114,00 BND

L 6 m

weight 2,100 KGM

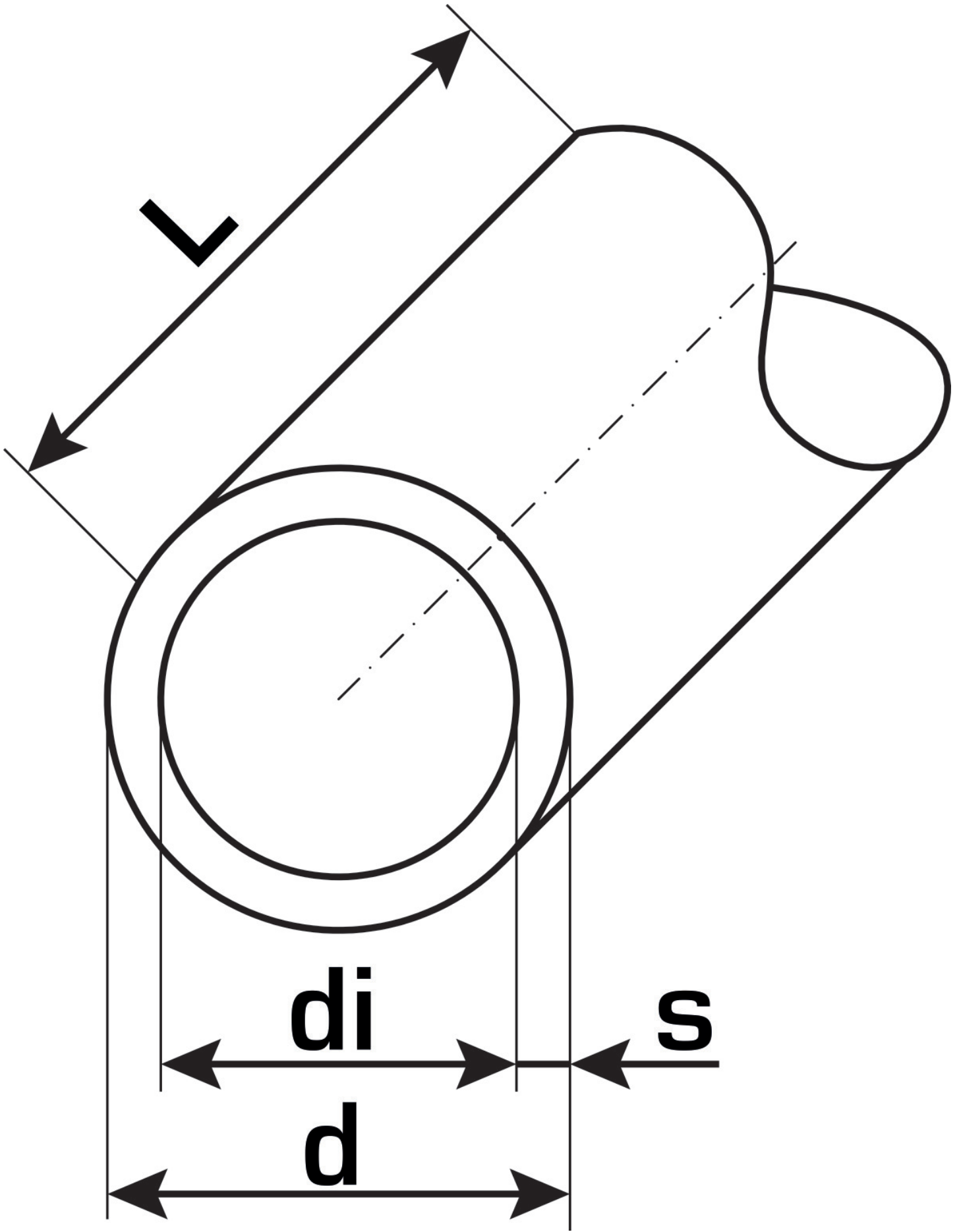
text STEELFIX carbon steel pipe female/male galv.

INTRNR 73065080

main material group STEELFIX

material group C-STAHl pipes

code CF150



Art. No	label	d	d1 mm	pipe contents l/m	s mm
54031H00	54x1.5	51	54	2,043	1,5



KE KELIT GmbH

A 4020 Linz, Ignaz-Mayer-Straße 17, Austria, Europe

PHONE +43 (0) 50 779 **E-MAIL** office@kekelit.com

www.kekelit.com