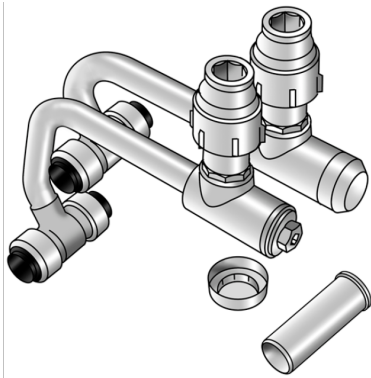


STEEL FIX C-STAHl

CF435 Push SL-connection set 15/3/4"female/15

54160BB0

Areas of application



Push SL-radiator connection set made of brass, non-porous metal-plated, suitable for processing with C-steel, stainless steel and copper pipes, heating/cooling connection pipe d12x1mm, incl. height and depth-adjustable corner-shut-off valve, the longitudinal frictional pipe connection of the shut-off valve is ensured with an M13 hex key at the front of the shut-off valve, the locking is performed with an Allen key 4mm, radiator connections 3/4" female, flat sealing

The end parts are needed for the last radiator of the SL set!

Specifications

Product information	
VPE1	1 SA1
VPE2	6 KT1
weight	0,816 KGM
text	Push SL-connection set
INTRNR	73071990
main material group	STEELFIX
material group	C-STAHl pushfittings
code	CF435

Art. No	label	d1 mm	d2 Zoll
54160BB0	15/3/4"female/15	15	3/4"



KE KELIT GmbH

A 4020 Linz, Ignaz-Mayer-Straße 17, Austria, Europe

PHONE +43 (0) 50 779 E-MAIL office@kekelit.com

www.kekelit.com