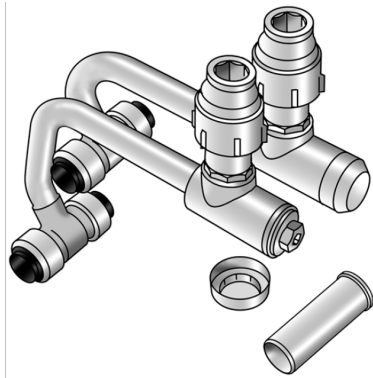


# STEEL FIX C-STAHl

CF435 Push SL-connection set 18/3/4"female/18

54160CC0

## Areas of application



Push SL-radiator connection set made of brass, non-porous metal-plated, suitable for processing with C-steel, stainless steel and copper pipes, heating/cooling connection pipe d12x1mm, incl. height and depth-adjustable corner-shut-off valve, the longitudinal frictional pipe connection of the shut-off valve is ensured with an M13 hex key at the front of the shut-off valve, the locking is performed with an Allen key 4mm, radiator connections 3/4" female, flat sealing

The end parts are needed for the last radiator of the SL set!

# Specifications

| Product information |                        |
|---------------------|------------------------|
| VPE1                | 1 SA1                  |
| VPE2                | 6 KT1                  |
| weight              | 0,819 KGM              |
| text                | Push SL-connection set |
| INTRNR              | 73071990               |
| main material group | STEELFIX               |
| material group      | C-STAHl pushfittings   |
| code                | CF435                  |

| Art. No  | label            | d1 mm | d2 Zoll |
|----------|------------------|-------|---------|
| 54160CC0 | 18/3/4"female/18 | 18    | 3/4"    |