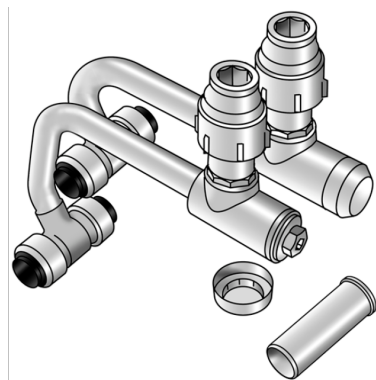


# STEEL FIX C-STAHl

## CF435 STEELFIX Push-fit skirting board connection set End plug 18

54161C00

### Areas of application



Push-fit skirting board radiator connection set made of brass, non-porous metallised, suitable for processing with carbon steel, stainless steel and copper pipes, heating/cooling connection pipe d12x1mm, incl. height and depth-adjustable corner-shut-off valve, the longitudinal frictional pipe connection of the shut-off valve is ensured with an M13 hex key at the front of the shut-off valve, the locking is performed with an Allen key 4mm, radiator connections 3/4" female, flat sealing  
The end parts are needed for the last radiator of the skirting board set!

# Specifications

| Product information |   |
|---------------------|---|
| VPE1                | 2,00 SA1  |
| VPE2                | 10,00 KT1                                       |
| weight              | 0,040 KGM                                       |
| text                | STEELFIX Push-fit skirting board connection set |
| INTRNR              | 73071990  |
| main material group | STEELFIX  |
| material group      | C-STAHl pushfittings                            |
| code                | CF435   |

| Art. No  | label       |
|----------|-------------|
| 54161C00 | End plug 18 |