

STEEL FIX C-STAHL

CP410 STEELFIX carbon steel press-fit coupling
35

54600FF0

Areas of application



Press coupling straight made of carbon steel coated with a zinc layer, incl. EPDM sealing elements, d15-54 "leak before pressed"

Press contour: M

Specifications

Article information

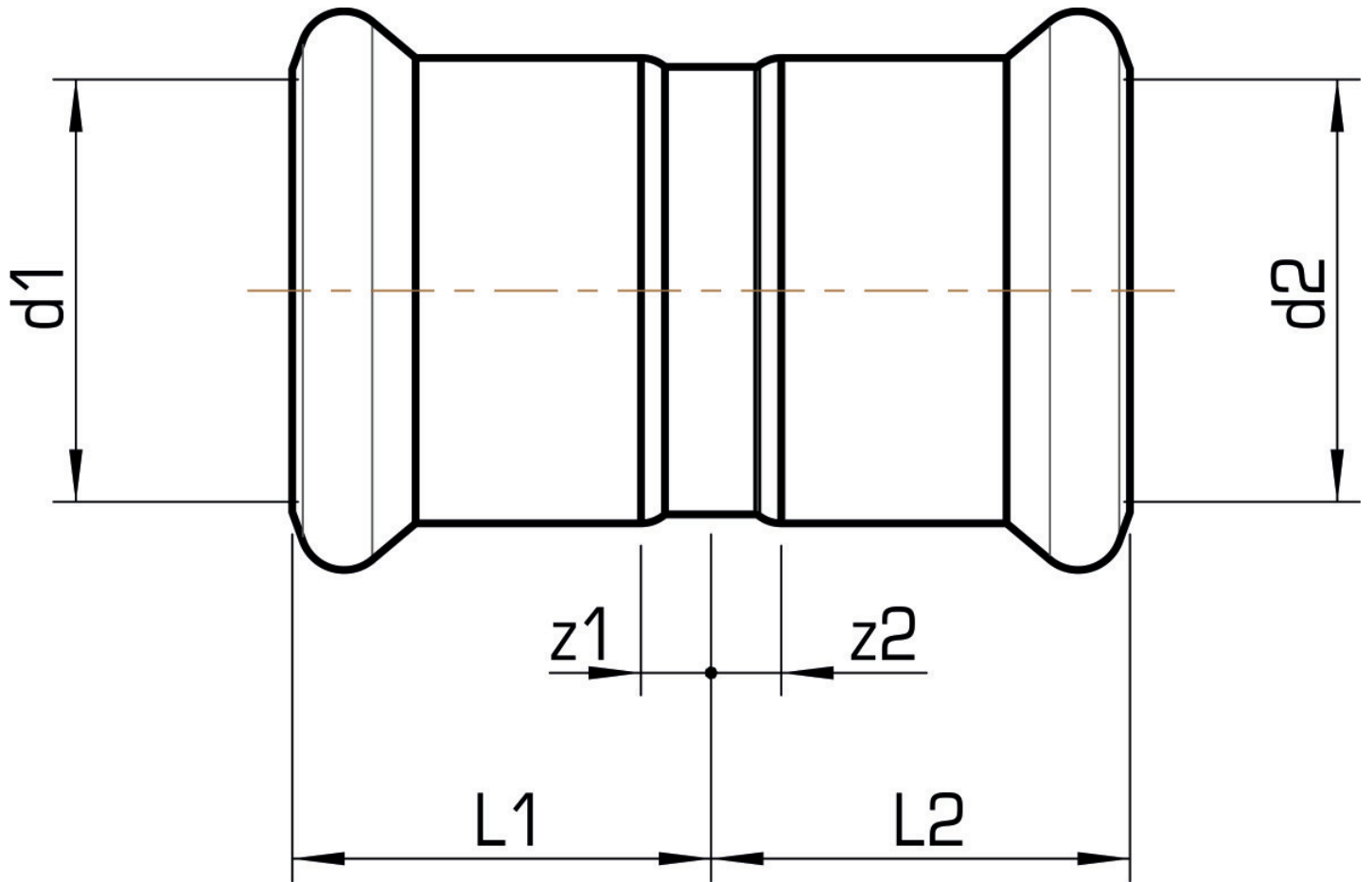
port 1	Pressmuffe
port 2	Pressmuffe
execution	1-part
design	gerade
press contour	M

Technical properties

maximum working pressure at 20 ° C	16 bar
------------------------------------	--------

Product information

VPE1	5,00 SA1
VPE2	40,00 KT1
VPE3	1000,00 DDP
weight	0,121 KGM
text	STEELFIX carbon steel press-fit coupling
INTRNR	73079980
main material group	STEELFIX
material group	C-STAHL pressfittings
code	CP410



Art. No	label	d1 mm	d2 mm	L1 mm	L2 mm	z1 mm	z2 mm
54600FF0	35	35	35	31	31	5	5