

# STEEL FIX C-STAHL

CP410 STEELFIX carbon steel press-fit coupling  
76,1

54600JJ0

## Areas of application



Press coupling straight made of carbon steel coated with a zinc layer, incl. EPDM sealing elements,  
d15-54 "leak before pressed"

Press contour: M

# Specifications

## Article information

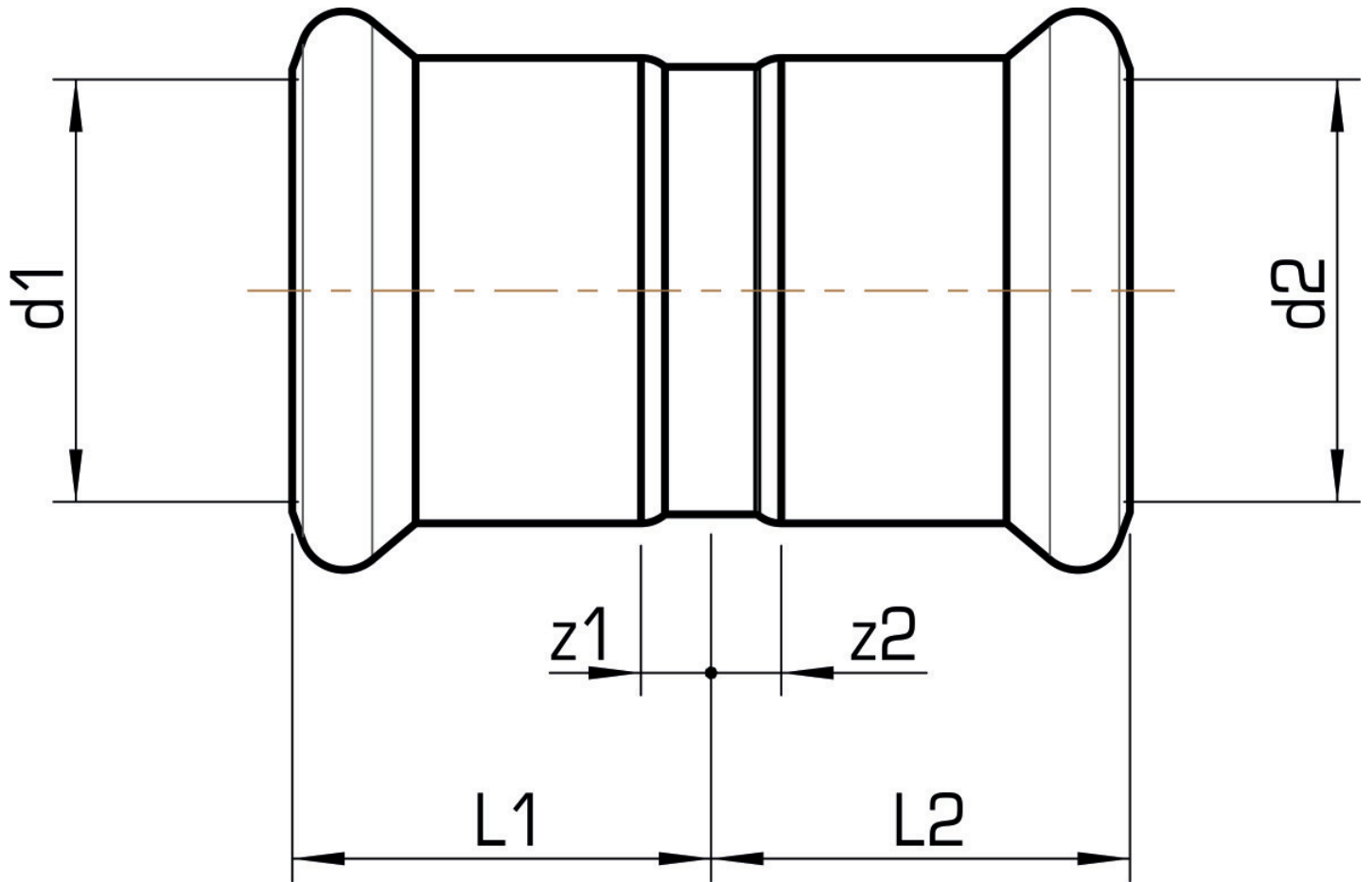
port 1	Pressmuffe
port 2	Pressmuffe
execution	1-part
design	gerade
press contour	M

## Technical properties

maximum working pressure at 20 ° C	16 bar
------------------------------------	--------

## Product information

VPE1	4,00 SA1
VPE2	32,00 KT1
weight	0,612 KGM
text	STEELFIX carbon steel press-fit coupling
INTRNR	73079980
main material group	STEELFIX
material group	C-STAHL pressfittings
code	CP410



Art. No	label	d1 mm	d2 mm	L1 mm	L2 mm	z1 mm	z2 mm
54600JJ0	76,1	76,1	76,1	63	63	8	8