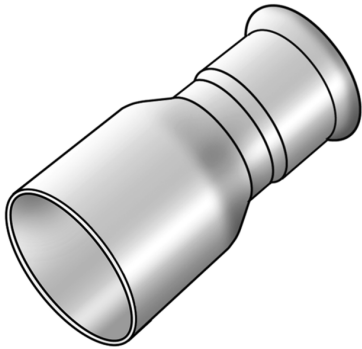


# STEEL FIX C-STAHl

CP411 C-steel press-reduction socket  
male/female 28/15

54601EB0

## Areas of application



Press-reduction socket f/m straight made of C-steel coated with a zinc layer, incl. EPDM sealing components, d15-54 "leak before pressed"

Press contour: M

# Specifications

## Article information

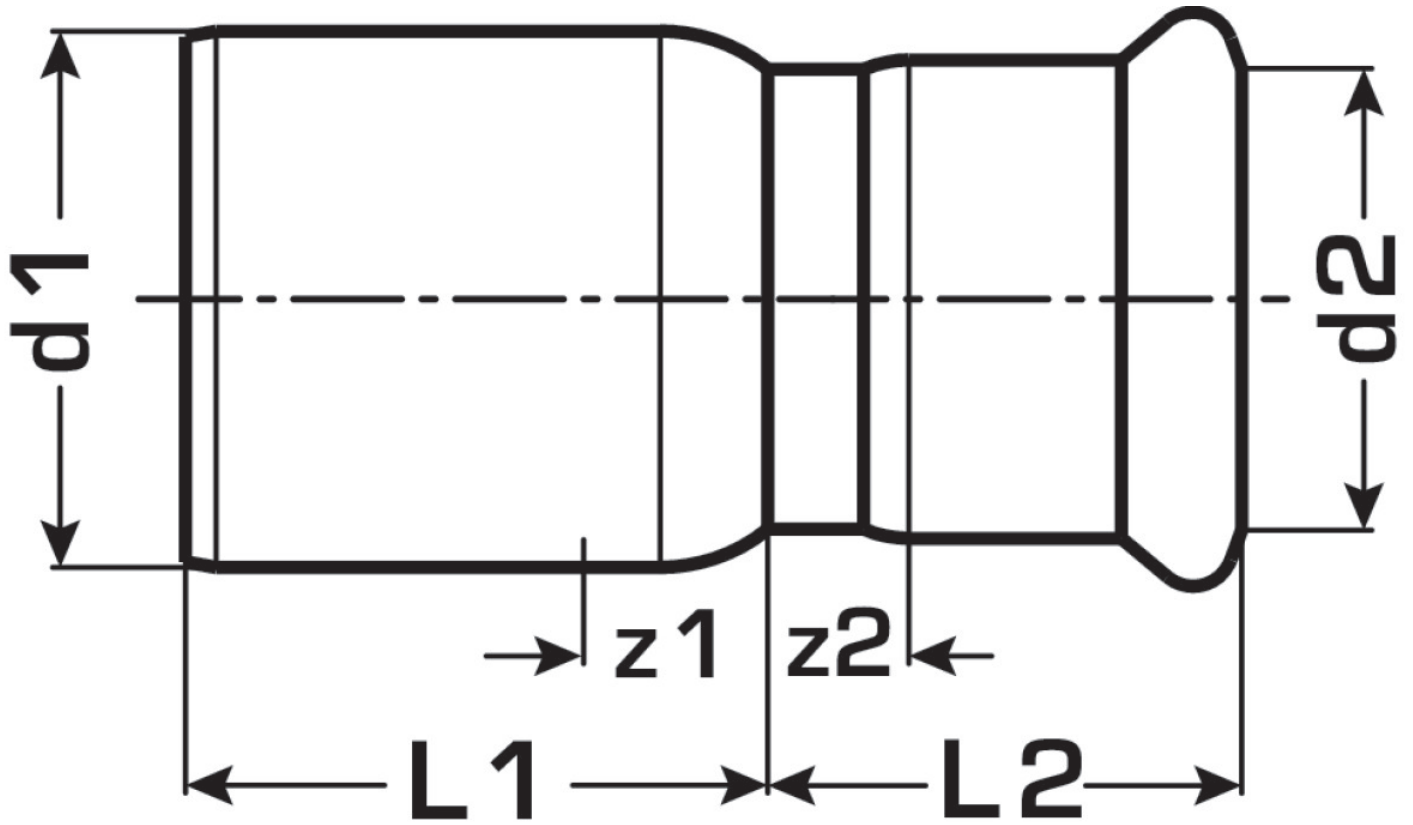
|               |                 |
|---------------|-----------------|
| port 1        | Pressmuffe      |
| port 2        | Zapfen/Rohrende |
| execution     | 1-teilig        |
| design        | gerade          |
| press contour | M               |

## Technical properties

|                                    |        |
|------------------------------------|--------|
| maximum working pressure at 20 ° C | 16 bar |
|------------------------------------|--------|

## Product information

|                     |  |
|---------------------|--|
| VPE1                | 10 SA1                                     |
| VPE2                | 80 KT1                                     |
| VPE3                | 2000 DDP                                   |
| weight              | 0,061 KGM                                  |
| text                | C-steel press-reduction socket male/female |
| INTRNR              | 73079980                                   |
| main material group | STEELFIX                                   |
| material group      | C-STAHL pressfittings                      |
| code                | CP411                                      |



| Art. No  | label | d1 mm | d2 mm | L1 mm | L2 mm | z1 mm | z2 mm |
|----------|-------|-------|-------|-------|-------|-------|-------|
| 54601EB0 | 28/15 | 28    | 15    | 30    | 38    | 10    | 15    |