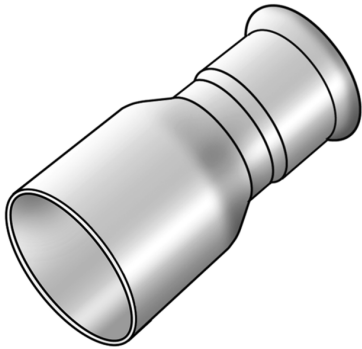


STEEL FIX C-STAHl

CP411 C-steel press-reduction socket
male/female 76/54

54601JH0

Areas of application



Press-reduction socket f/m straight made of C-steel coated with a zinc layer, incl. EPDM sealing components, d15-54 "leak before pressed"

Press contour: M

Specifications

Article information

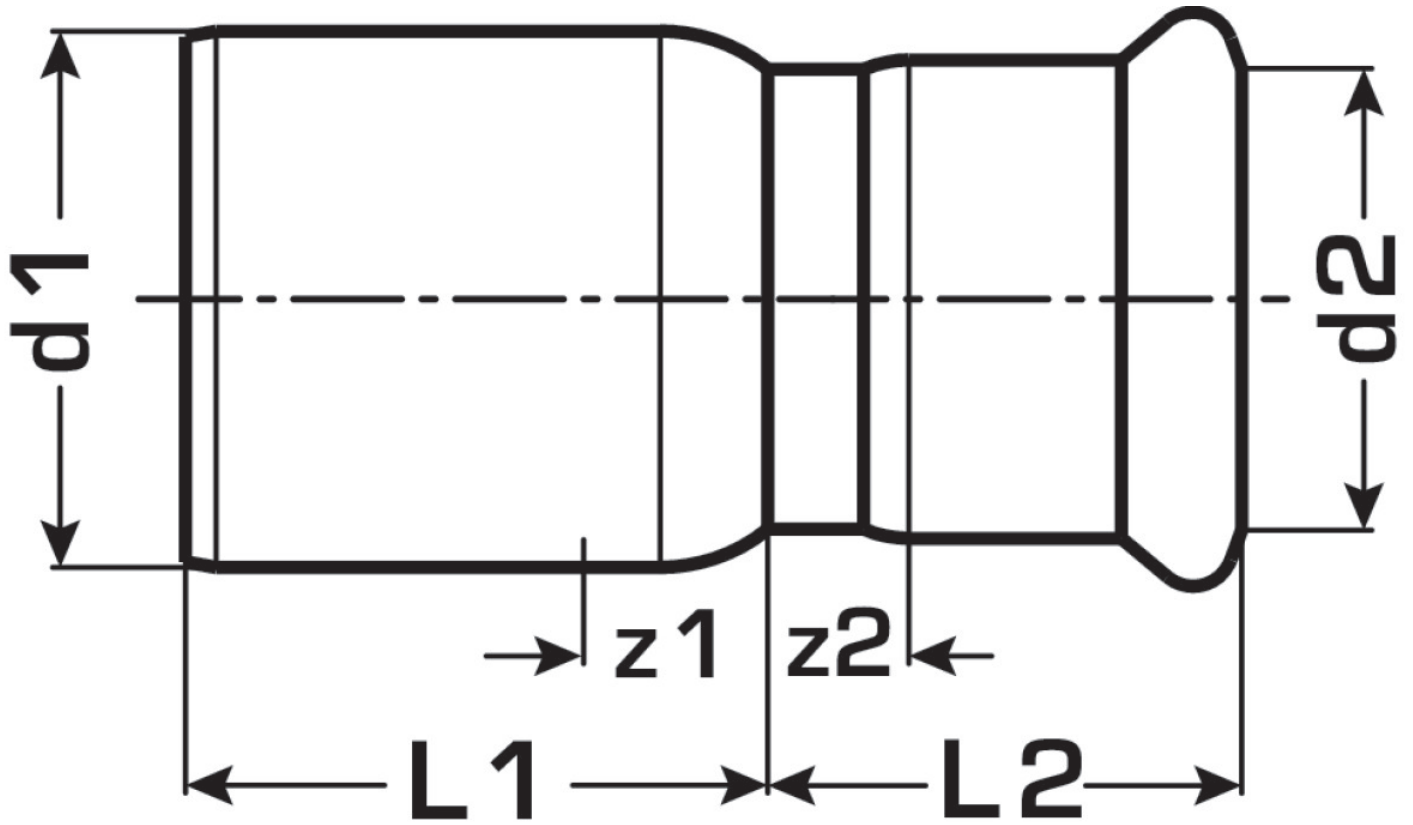
| | |
|---------------|-----------------|
| port 1 | Pressmuffe |
| port 2 | Zapfen/Rohrende |
| execution | 1-teilig |
| design | gerade |
| press contour | M |

Technical properties

| | |
|------------------------------------|--------|
| maximum working pressure at 20 ° C | 16 bar |
|------------------------------------|--------|

Product information

| | |
|---------------------|--|
| VPE1 | 4 SA1 |
| weight | 0,45 KGM |
| text | C-steel press-reduction socket male/female |
| INTRNR | 73079980 |
| main material group | STEELFIX |
| material group | C-STAHL pressfittings |
| code | CP411 |



| Art. No | label | d1 mm | d2 mm | L1 mm | L2 mm | z1 mm | z2 mm |
|----------|-------|-------|-------|-------|-------|-------|-------|
| 54601JH0 | 76/54 | 76.1 | 54 | 55 | 86 | 20 | 31 |