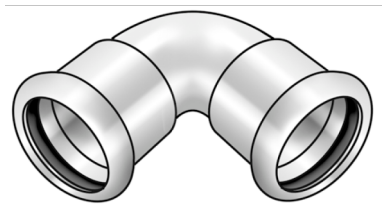


STEEL FIX C-STAHl

CP420 STEELFIX carbon steel press-fit 90°
elbow 66,7

54615II0

Areas of application



Press-elbow 90° made of carbon steel coated with a zinc layer, incl. EPDM sealing elements, of d15-54 "leak before pressed"

Press contour: M

Specifications

Article information

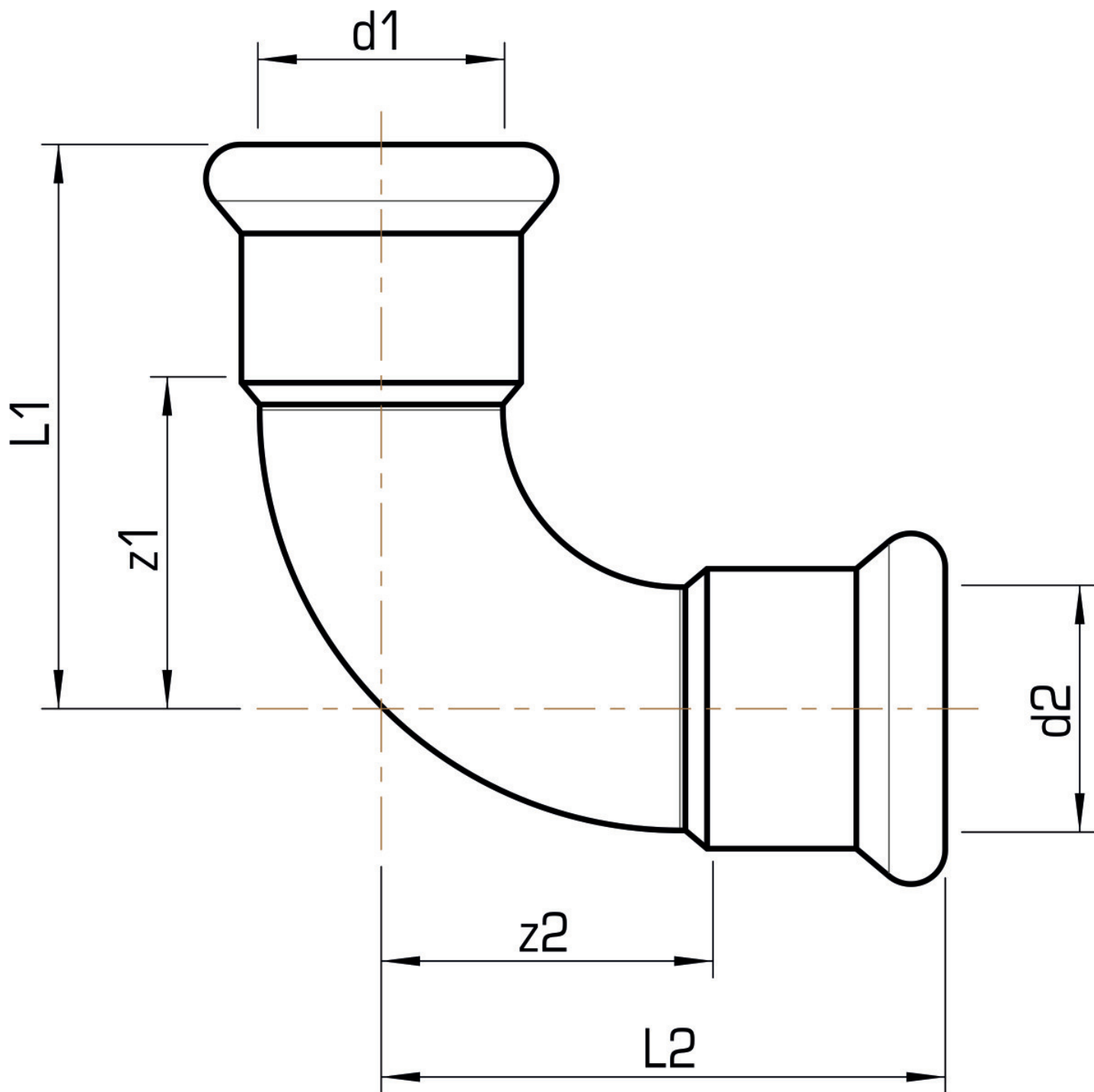
port 1	Pressmuffe
port 2	Pressmuffe
execution	1-part
angle	90 °
press contour	M

Technical properties

maximum working pressure at 20 ° C	16 bar
------------------------------------	--------

Product information

VPE1	2,00 SA1
VPE2	4,00 KT1
weight	0,787 KGM
text	STEELFIX carbon steel press-fit 90° elbow
INTRNR	73079980
main material group	STEELFIX
material group	C-STAHl pressfittings
code	CP420



Art. No	label	d1 mm	d2 mm	L1	L2	z1 mm	z2 mm
54615110	66,7	66,7	66,7	144	144	98	98