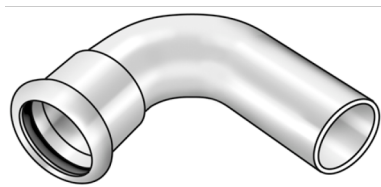


# STEEL FIX C-STAHl

CP421 STEELFIX carbon steel press-fit 90°  
elbow male/female 15

54616BB0

## Areas of application



Press-elbow 90°, f/m, made of carbon steel coated with a zinc layer, incl. EPDM sealing components, d15-54 "leak before pressed"

Press contour: M

# Specifications

## Article information

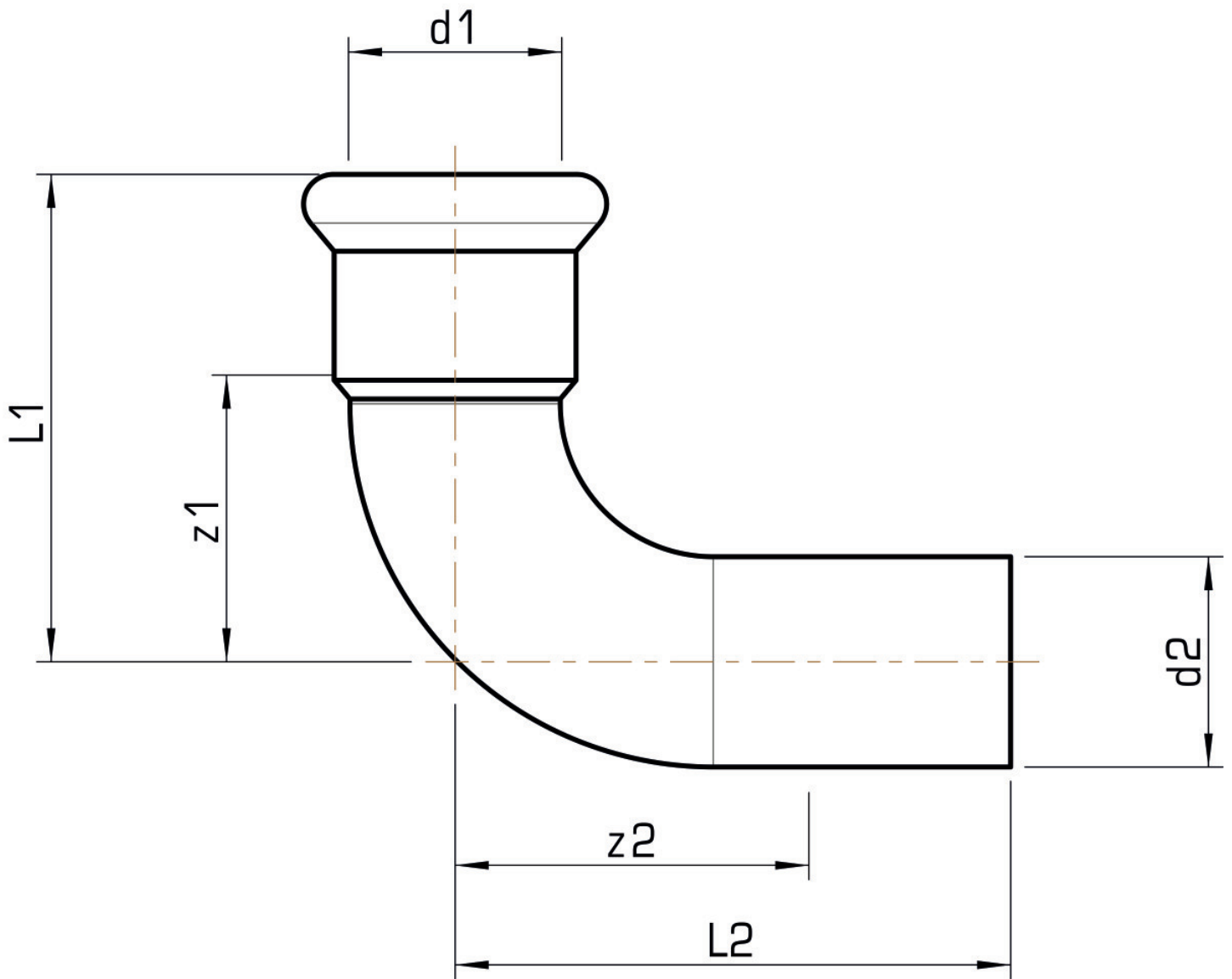
port 1	Pressmuffe
port 2	Zapfen/Rohrende
execution	1-part
design	Bogen
angle	90 °
press contour	M

## Technical properties

maximum working pressure at 20 ° C	16 bar
------------------------------------	--------

## Product information

VPE1	10,00 SA1
VPE2	120,00 KT1
VPE3	3000,00 DDP
weight	0,045 KGM
text	STEELFIX carbon steel press-fit 90° elbow male/female
INTRNR	73079980
main material group	STEELFIX
material group	C-STAHL pressfittings
code	CP421



Art. No	label	d1 mm	d2 mm	L1 mm	L2 mm	z1 mm	z2 mm
54616BB0	15	15	15	41	48,5	21	29