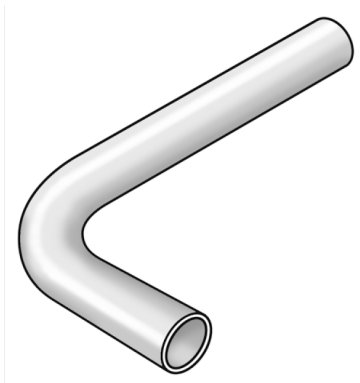


STEEL FIX C-STAHL

CP422 STEELFIX carbon steel press-fit elbow
90° male/male 22

54617DD0

Areas of application



Elbow 90° male/male made of carbon steel, coated with a zinc layer

Dimensions:

d15-22 - 120x70mm

d28 - 120x80mm

d35 - 200x120mm

d42 - 250x150mm

d54 - 300x200mm

Specifications

Article information

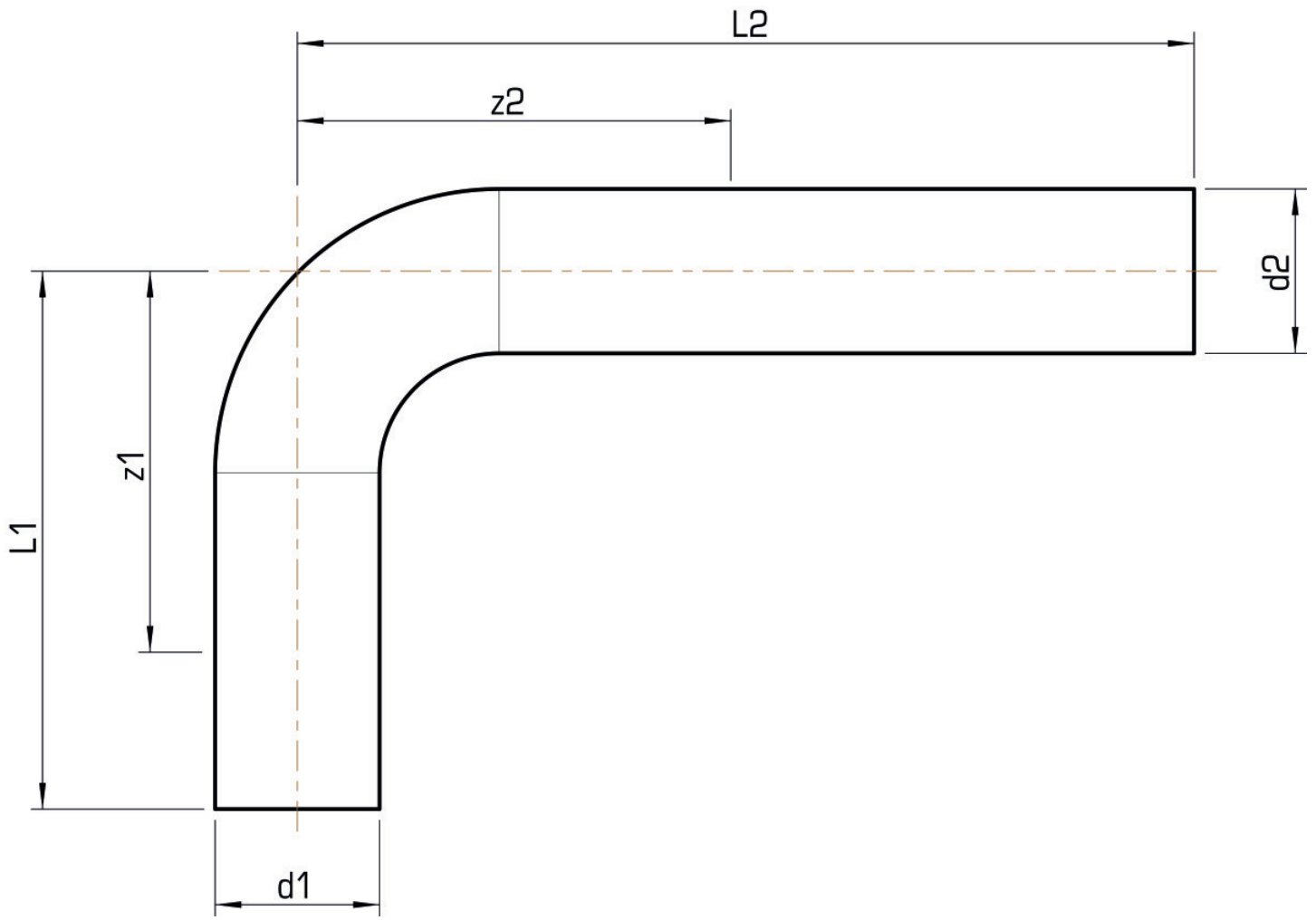
port 1	Zapfen/Rohrende
port 2	Zapfen/Rohrende
execution	1-part
design	Bogen
angle	90 °

Technical properties

maximum working pressure at 20 ° C	16 bar
------------------------------------	--------

Product information

VPE1	10,00 SA1
VPE2	30,00 KT1
VPE3	750,00 DDP
weight	0,142 KGM
text	STEELFIX carbon steel press-fit elbow 90° male/male
INTRNR	73079980
main material group	STEELFIX
material group	C-STAHl pressfittings
code	CP422



Art. No	label	d1 mm	d2 mm	L1 mm	L2 mm	z1 mm	z2
54617DD0	22	22	22	72	120	51	58