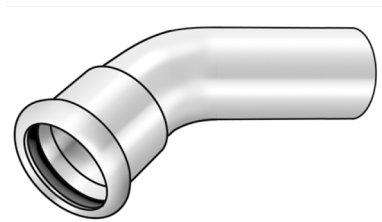


# STEEL FIX C-STAHl

CP426 C-Steel press-elbow 45° male/female 42

54621GG0

## Areas of application



Press-elbow 45°, f/m, made of carbon steel coated with a zinc layer, incl. EPDM sealing elements, d15-54 "not pressed, not sealed"

Press contour: M

# Specifications

## Article information

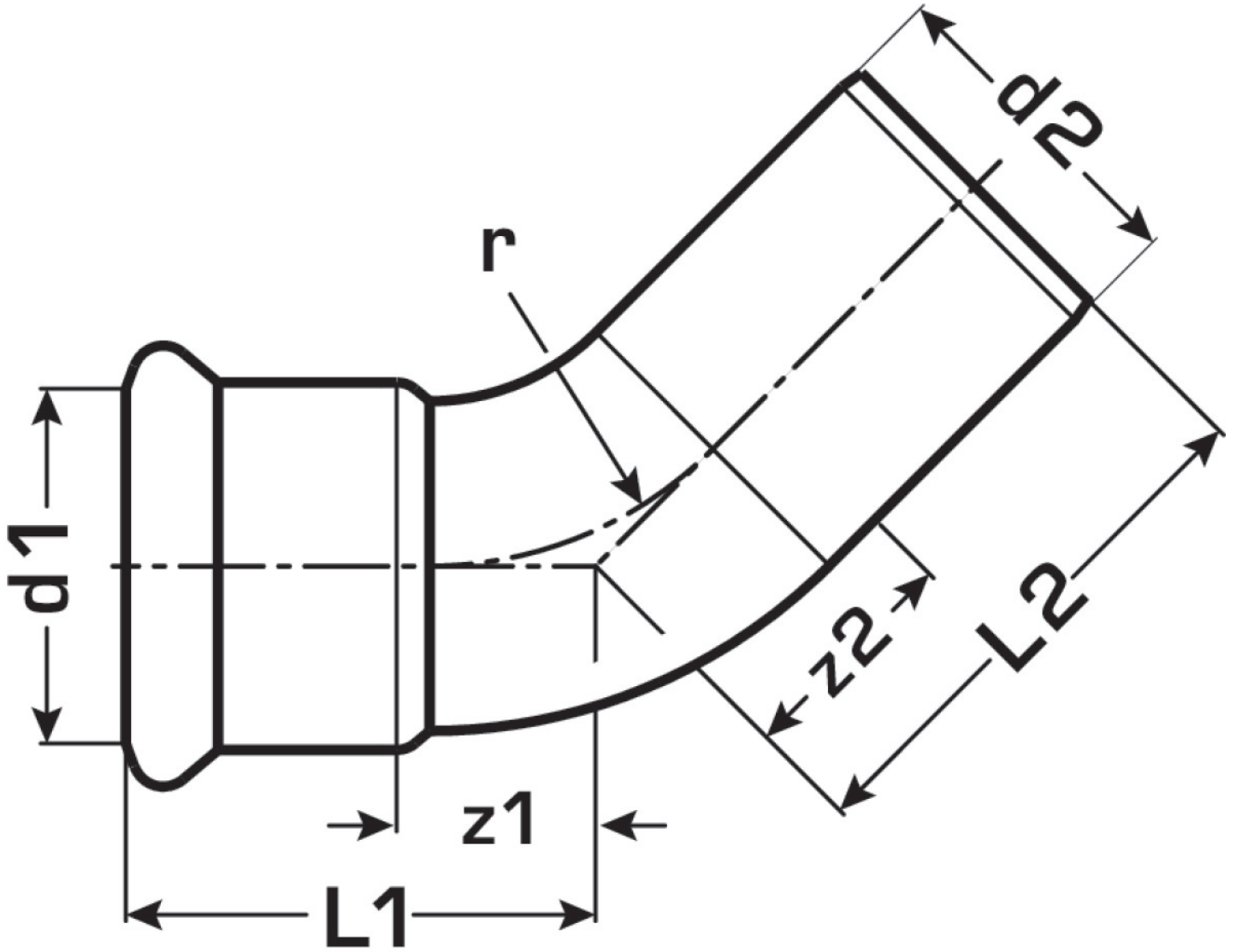
port 1	Pressmuffe
port 2	Zapfen/Rohrende
execution	1-teilig
design	Bogen
angle	45 °
press contour	M

## Technical properties

maximum working pressure at 20 ° C	16 bar
------------------------------------	--------

## Product information

VPE1	4 SA1
VPE2	16 KT1
VPE3	400 DDP
weight	0,211 KGM
text	C-Steel press-elbow 45° male/female
INTRNR	73079980
main material group	STEELFIX
material group	C-STAHL pressfittings
code	CP426



Art. No	label	d1 mm	d2 mm	L1 mm	L2 mm	z1 mm
54621GG0	42	42	42	56	63	26