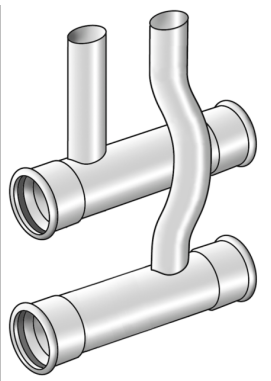


STEEL FIX C-STAHL

CP442 C-steel press curved tee 15/15

54631BBB

Areas of application

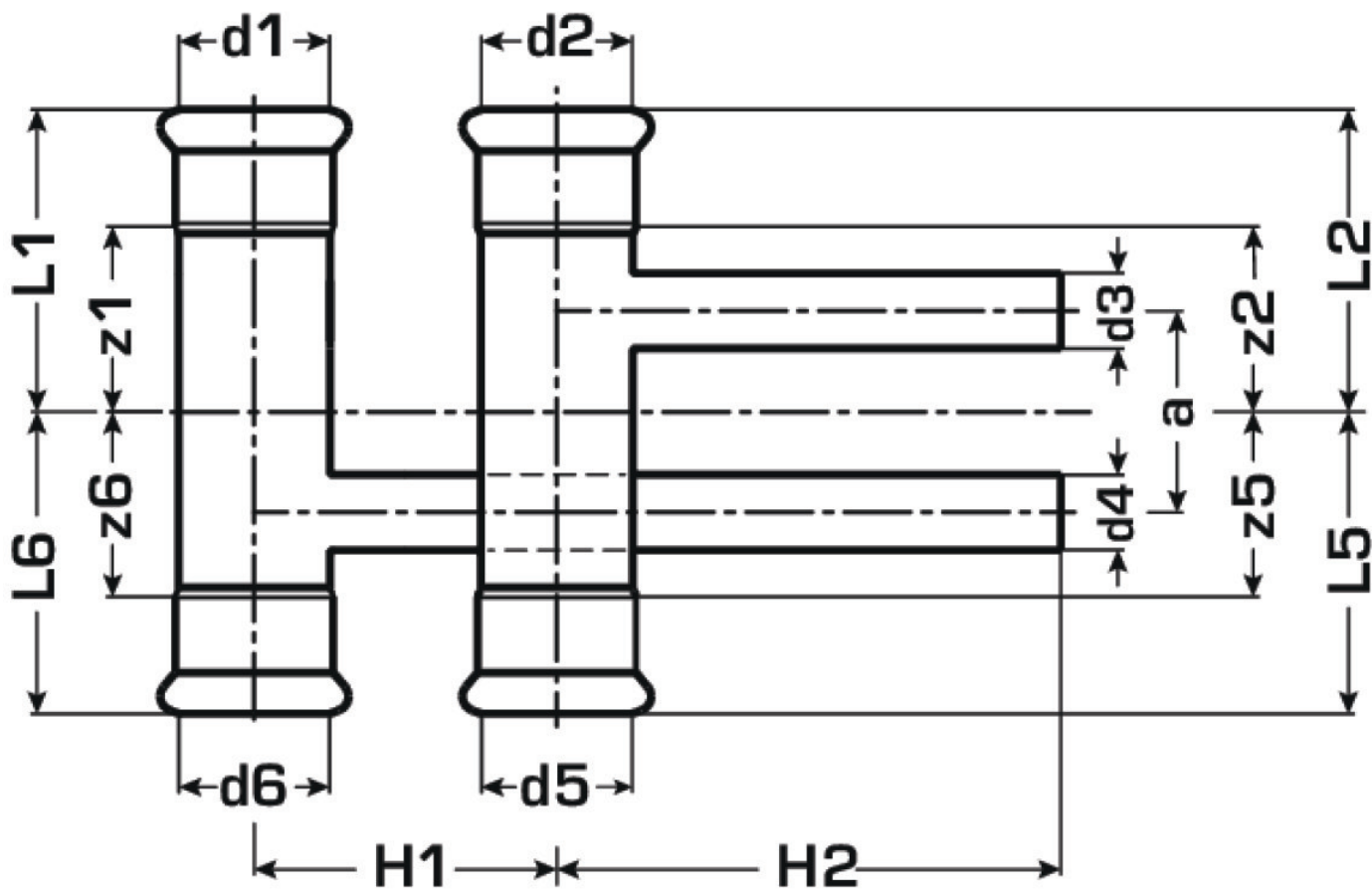


Press-fit curved tee, equal or reduced, made of carbon steel coated with a zinc layer, incl. EPDM sealing components, "leak before pressed"

Press contour: M

Specifications

| Product information | |
|---------------------|--------------------------|
| VPE1 | 1 SA1 |
| VPE2 | 10 KT1 |
| weight | 0,306 KGM |
| text | C-steel press curved tee |
| INTRNR | 73079980 |
| main material group | STEELFIX |
| material group | C-STAHl pressfittings |
| code | CP442 |



| Art. No | label | d1 + d3 mm | L1 mm |
|----------|-------|------------|-------|
| 54631BBB | 15/15 | 15x15 | 60 |