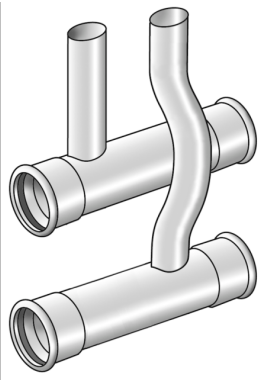


STEEL FIX C-STAHL

CP442 C-steel press curved tee 28/15

54631EBE

Areas of application

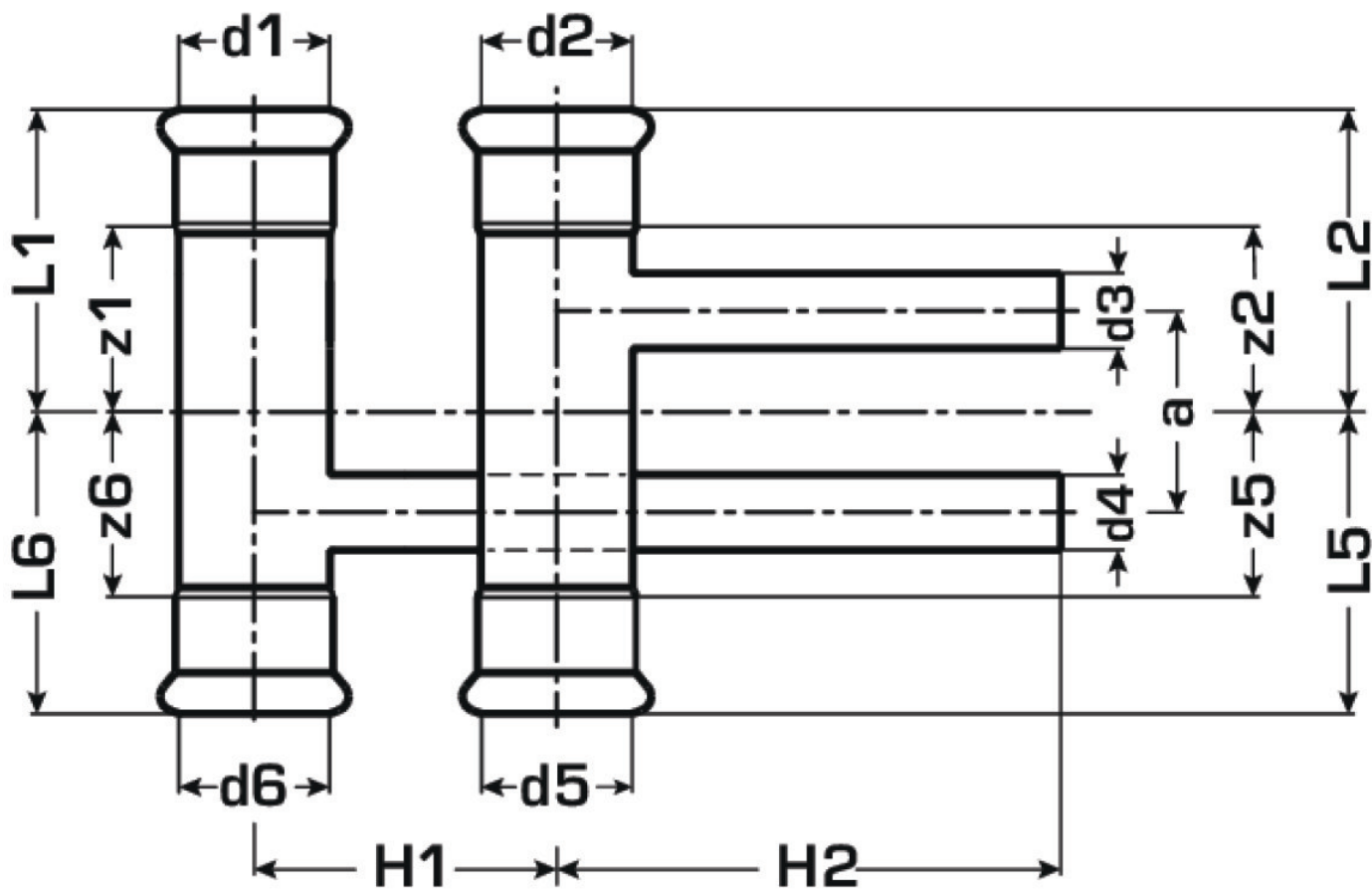


Press-fit curved tee, equal or reduced, made of carbon steel coated with a zinc layer, incl. EPDM sealing components, "leak before pressed"

Press contour: M

Specifications

Product information	
VPE1	1 SA1
VPE2	5 KT1
weight	0,4 KGM
text	C-steel press curved tee
INTRNR	73079980
main material group	STEELFIX
material group	C-STAHL pressfittings
code	CP442



Art. No	label	d1 + d3 mm	L1 mm
54631EBE	28/15	28x15	60