

STEEL FIX C-STAHL

CP447 STEELFIX carbon steel press-fit tee with branch female 54x1/2"

54740H02

Areas of application



?Press-tee with threaded branch female made of carbon steel coated with a zinc layer, incl. EPDM sealing elements, d15-54 "leak before pressed"

Press contour: M

Specifications

Article information

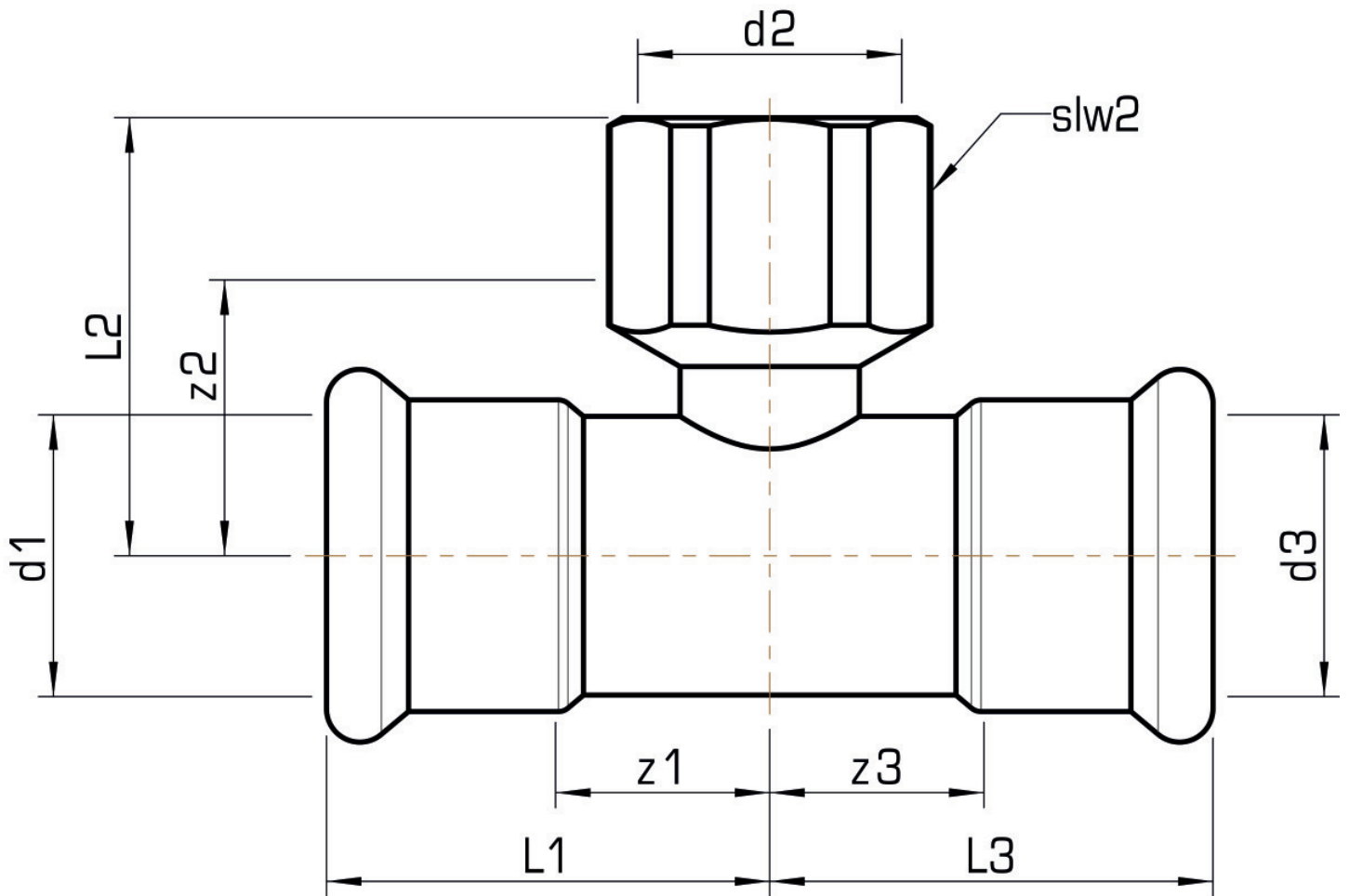
port 1	Pressmuffe
port 2	Innengewinde konisch (NPT)
port 3	Pressmuffe
execution	T-Stück
press contour	M

Technical properties

maximum working pressure at 20 ° C	16 bar
------------------------------------	--------

Product information

VPE1	2,00 SA1
VPE2	8,00 KT1
VPE3	200,00 DDP
weight	0,357 KGM
text	STEELFIX carbon steel press-fit tee with branch female
INTRNR	73079980
main material group	STEELFIX
material group	C-STAHL pressfittings
code	CP447



Art. No	label	d2 Inches	d1 mm	d3 mm	L1 mm	L2 mm	L3 mm	z1 mm	z2 mm	z3 mm	slw1 mm
54740H0	54x1/2"	1/2" (15)	54	54	71	55	71	36	40	36	24