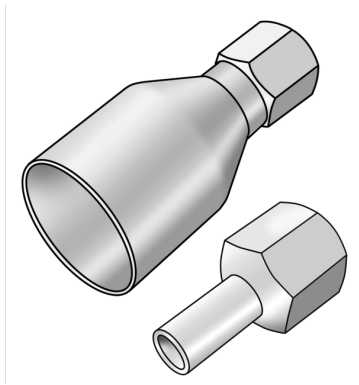


# STEEL FIX C-STAHL

CP454 STEELFIX carbon steel press-connector  
female 18x1/2"

54705C02

## Areas of application



Press-adapter with female thread made of carbon steel with pipe dimensions and coated with a zinc layer

# Specifications

## Article information

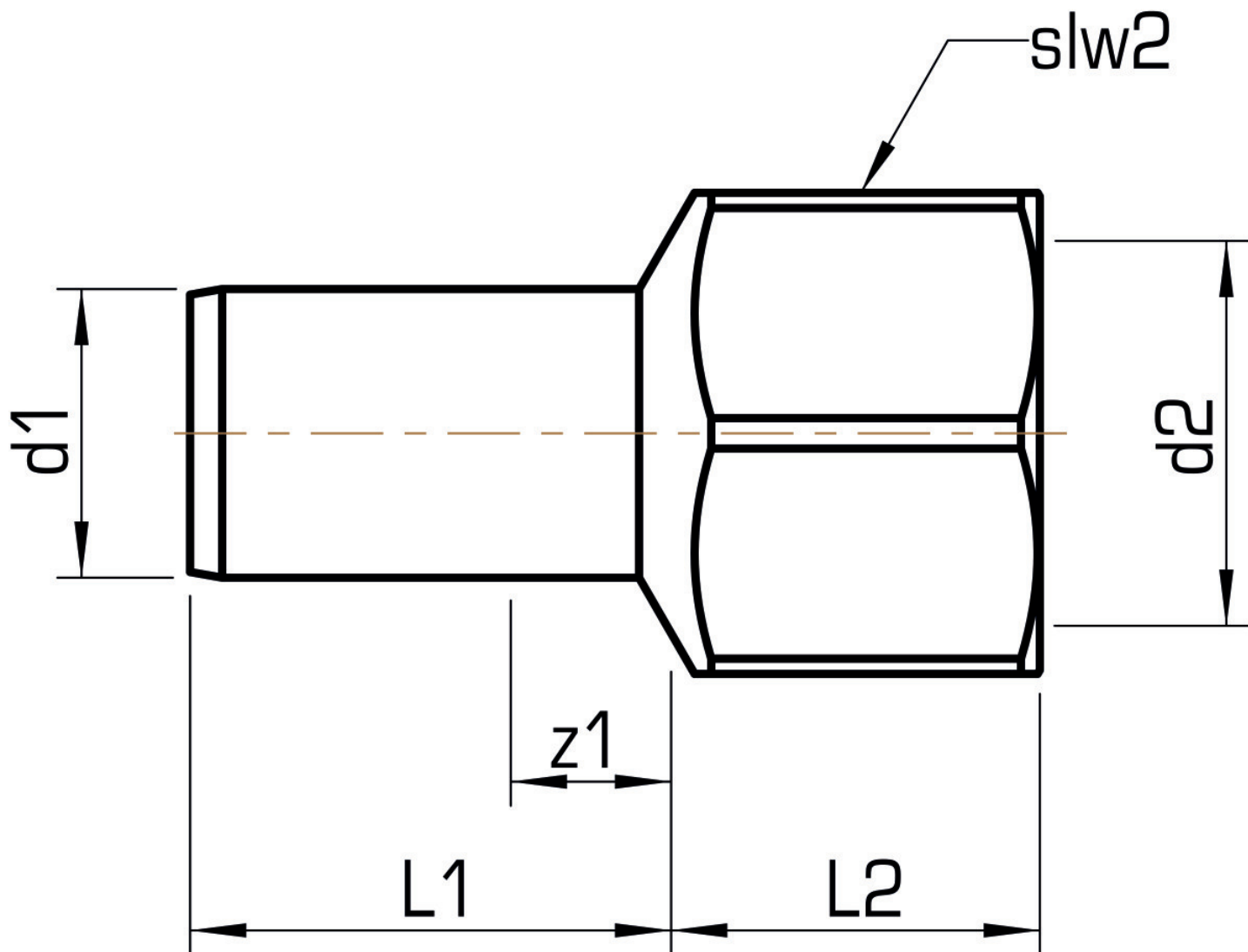
port 1	Zapfen/Rohrende
port 2	Innengewinde zylindrisch BSPT-Rp (ISO 7-1 / EN 10226-1)
execution	1-part
design	gerade
press contour	M

## Technical properties

maximum working pressure at 20 ° C	16 bar
------------------------------------	--------

## Product information

VPE1	10,00 SA1
VPE2	100,00 KT1
weight	0,057 KGM
text	STEELFIX carbon steel press-connector female
INTRNR	73079980
main material group	STEELFIX
material group	C-STAHL pressfittings
code	CP454



Art. No	label	d2 Inches	d1 mm	L1 mm	L2 mm	z1 mm	slw2 mm
54705C02	18x1/2"	1/2" (15)	18	29	21	9	24