

STEEL FIX C-STAHl

CP457 STEELFIX carbon steel press-fit-adapter with female thread 18x1/2"

54706C02

Areas of application



Press-adapter with female thread made of carbon steel coated with a zinc layer, incl. EPDM sealing elements, d15-54 "leak before pressed"

Press contour: M

Specifications

Article information

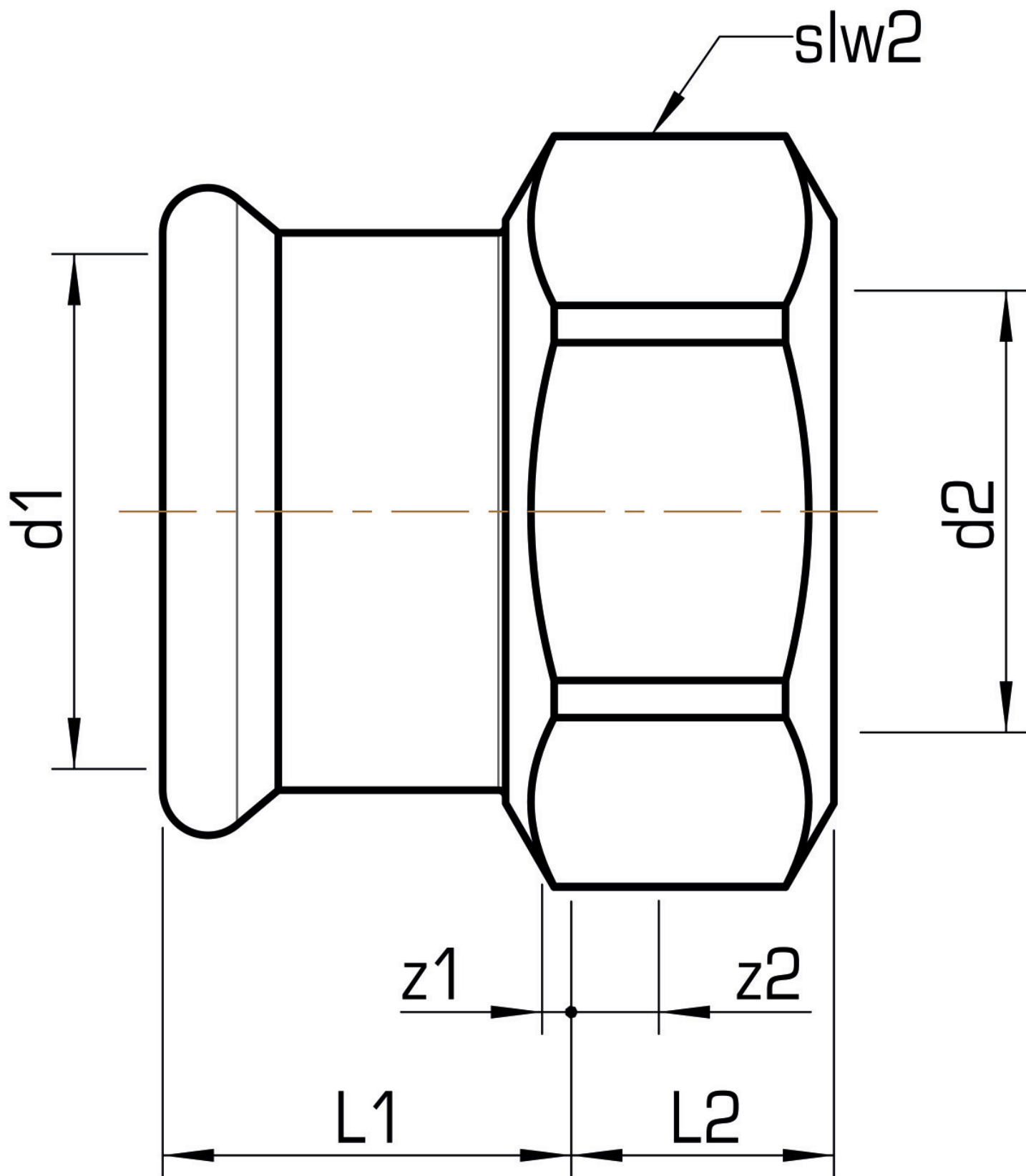
port 1	Pressmuffe
port 2	Innengewinde zylindrisch BSPT-Rp (ISO 7-1 / EN 10226-1)
execution	1-part
design	gerade
press contour	M

Technical properties

maximum working pressure at 20 ° C	16 bar
------------------------------------	--------

Product information

VPE1	10,00 SA1
VPE2	100,00 KT1
VPE3	2500,00 DDP
weight	0,070 KGM
text	STEELFIX carbon steel press-fit-adapter with female thread
INTRNR	73079980
main material group	STEELFIX
material group	C-STAHL pressfittings
code	CP457



Art. No	label	d2 Inches	d1 mm	L1 mm	L2 mm	z1 mm	z2 mm	slw2 mm
54706C02	18x1/2"	1/2" (15)	18	21	19	1	0,5	27



KE KELIT GmbH

A 4020 Linz, Ignaz-Mayer-Straße 17, Austria, Europe

PHONE +43 (0) 50 779 **E-MAIL** office@kekelit.com

www.kekelit.com