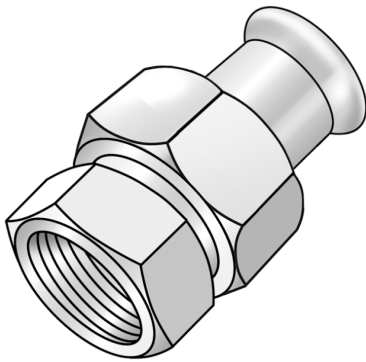


STEEL FIX C-STAHL

CP466 C-steel press-union female 35x5/4"

54742F06

Areas of application



Press-fit union with female thread conforming to EN 10226-1 made of carbon steel coated with a zinc layer, incl. EPDM sealing components, d15-54 "leak before pressed"

Press contour: M

Specifications

Article information

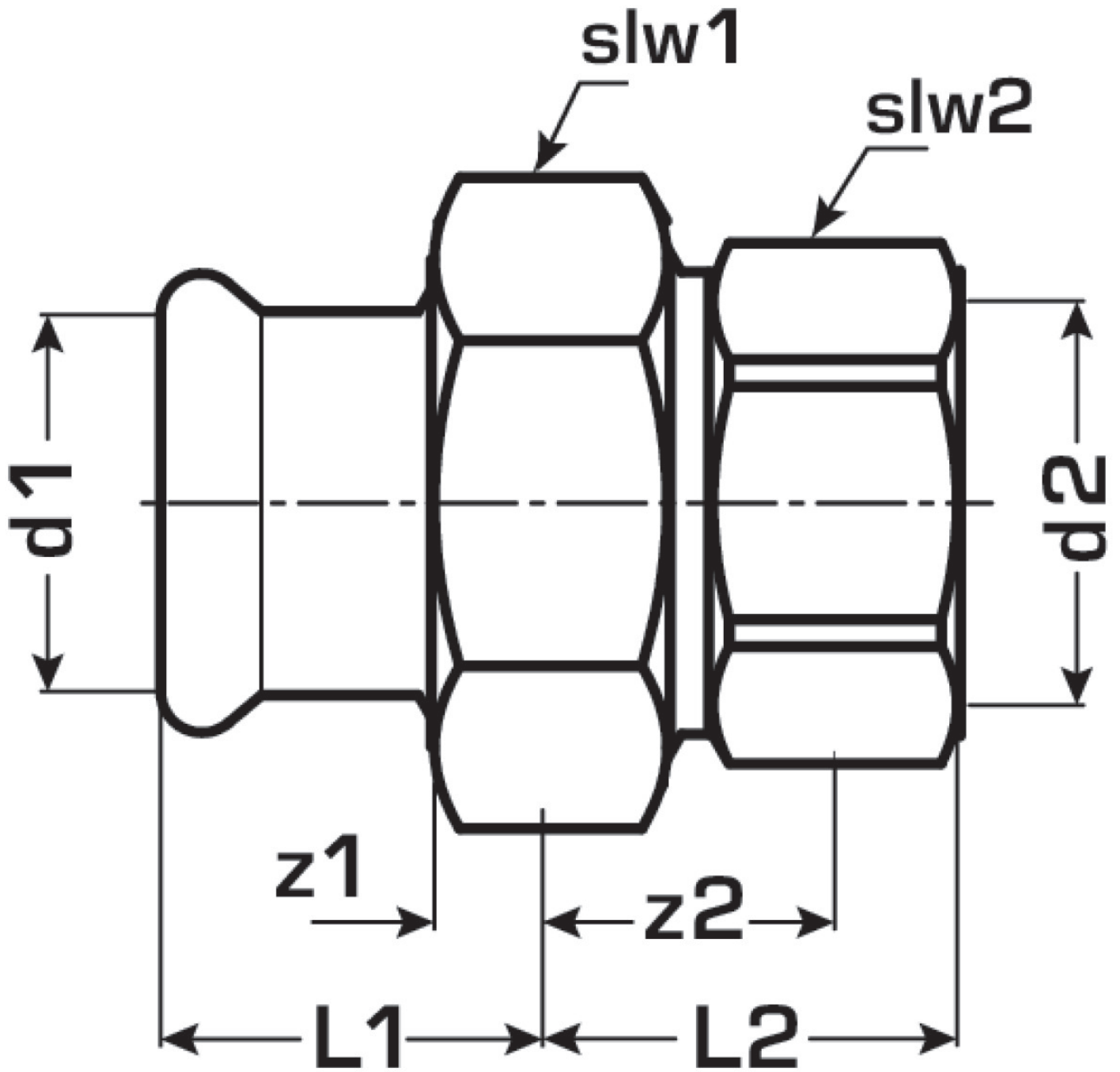
port 1	Pressmuffe
port 2	Innengewinde zylindrisch BSPT-Rp (ISO 7-1 / EN 10226-1)
execution	1-teilig
design	gerade
press contour	M

Technical properties

maximum working pressure at 20 ° C	16 bar
------------------------------------	--------

Product information

VPE1	2 SA1
VPE2	16 KT1
weight	0,44 KGM
text	C-steel press-union female
INTRNR	73079980
main material group	STEELFIX
material group	C-STAHL pressfittings
code	CP466



Art. No	label	d2	d1 mm	L1 mm	L2 mm	z1 mm	z2 mm	slw1 mm	slw2 mm
54742F06	35x5/4"	1 1/4 Zoll (32)	35	34	42	8	20	60	58