

STEEL FIX C-STAHL

CP467 STEELFIX carbon steel press-fit-adapter elbow 90° with female thread 18x1/2"

54716C02

Areas of application



Press-elbow adapter 90° with female thread made of carbon steel coated with a zinc layer, incl. EPDM sealing components, d15-54 "leak before pressed"

Press contour: M

Specifications

Article information

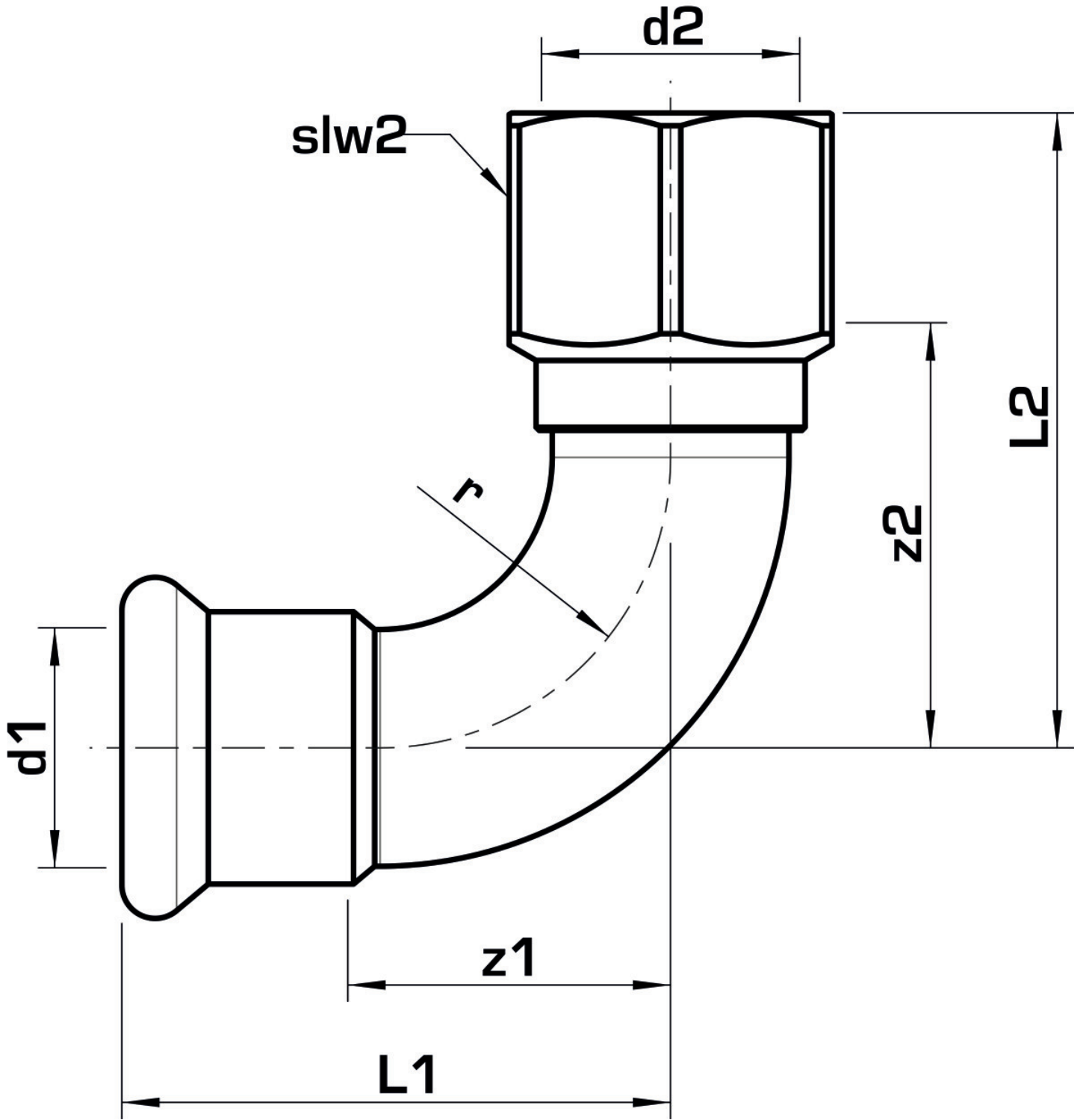
| | |
|---------------|---|
| port 1 | Pressmuffe |
| port 2 | Innengewinde zylindrisch BSPT-Rp (ISO 7-1 / EN 10226-1) |
| execution | 1-part |
| design | Bogen |
| angle | 90 ° |
| press contour | M |

Technical properties

| | |
|------------------------------------|--------|
| maximum working pressure at 20 ° C | 16 bar |
|------------------------------------|--------|

Product information

| | |
|---------------------|--|
| VPE1 | 10,00 SA1 |
| VPE2 | 60,00 KT1 |
| VPE3 | 1500,00 DDP |
| weight | 0,084 KGM |
| text | STEELFIX carbon steel press-fit-adapter elbow 90° with female thread |
| INTRNR | 73079980 |
| main material group | STEELFIX |
| material group | C-STAHl pressfittings |
| code | CP467 |



| Art. No | label | d2 Inches | d1 mm | L1 mm | L2 mm | z1 mm | z2 mm | slw2 mm |
|----------|---------|--------------|-------|-------|-------|-------|-------|---------|
| 54716C02 | 18x1/2" | 1/2" (15) | 18 | 45 | 50 | 25 | 31,5 | 24 |



KE KELIT GmbH

A 4020 Linz, Ignaz-Mayer-Straße 17, Austria, Europe

PHONE +43 (0) 50 779 **E-MAIL** office@kekelit.com

www.kekelit.com